

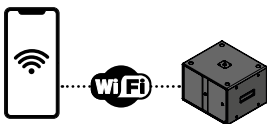


Description

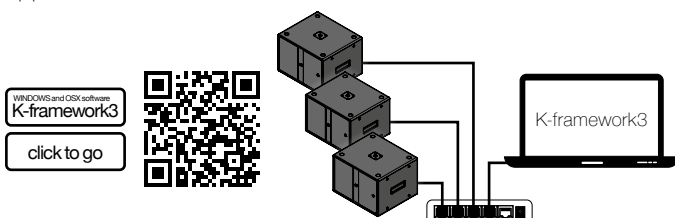
The Thunder-KS3 I is a compact active subwoofer featuring a 21" cone driver and a powerful 4x 2500W @ 4Ω audio amplifier module with built-in DSP.

The audio power output connectors allow the Thunder subwoofers to drive a wide range of K-array passive loudspeakers. Compatible with midrange loudspeaker and other passive subwoofers, the self powered Thunder subwoofers with DSP are designed to be the core devices in K-array sound reinforcement systems.

The dedicated K-array Connect mobile app provides an user friendly interface for remote control of the DSP main parameters and easy configuration of the signal routing.



K-framework3 is the managing and control software dedicated to professionals and operators looking for a powerful tool for designing and managing a large number of units over a wired LAN in demanding applications.

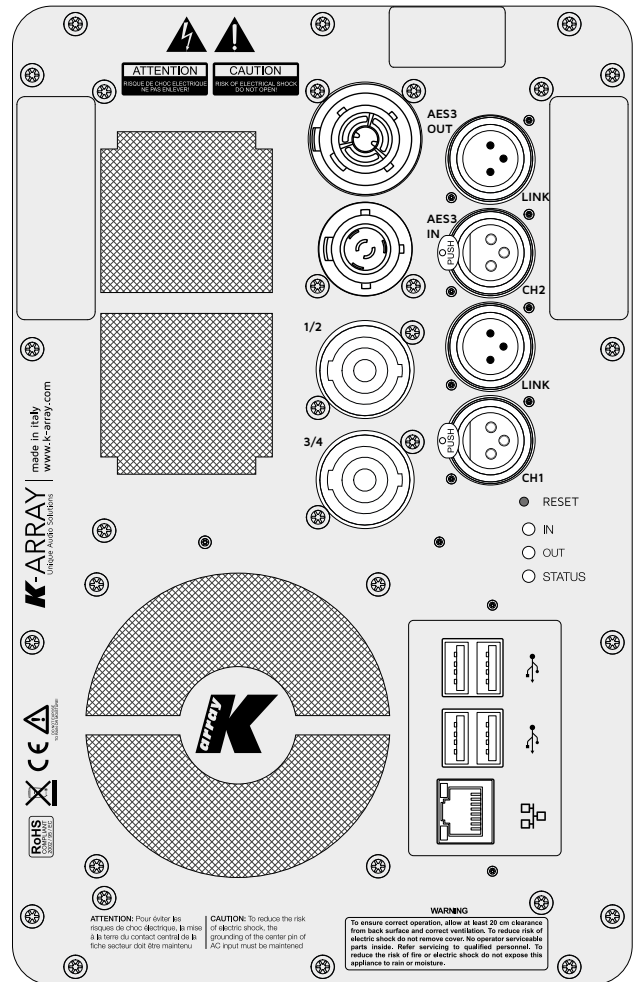


- 21" neodymium magnet woofer.
- Built in Class D audio amplifier module 4x 2500W @ 4Ω.
- 4x 2500W @ 4Ω audio power outputs for driving external loudspeakers.
- K-array Connect mobile app for easy wireless access to the DSP features.
- K-framework designer and remote control software for advanced loudspeakers system management.
- DSP onboard with:
 - Channel Grouping: group controls over multiple channels;
 - Input EQ: 3 bands fully parametric equalizer;
 - Output EQ: 8 bands fully parametric selectable filters: Peaking, High-Shelf, Low-Shelf, High-Pass, Low-Pass, HP-Butterworth, LP-Butterworth;
 - Dynamic limiters;
 - Signal routing: freely assignable input-to-output signal path with level adjustment;
 - Channel delay up to 230ms.
- osKar embedded: custom operating system running on quad core 1.5 GHz internal processor.
- Bass reflex acoustic load with symmetric ports.
- High density Finnish birch plywood cabinet for increased resistance and robustness.
- Rugged Polyurea coating for improved environmental resistance.
- Available in black or white or customizable paint over the entire RAL palette.

Technical Specifications

General	
Type	Active subwoofer
Transducers	21" neodymium magnet woofer
Frequency Response ¹	30 Hz – 150/300 Hz (-6 dB) crossover dependant
Crossover	DSP-controlled, Low Pass @ 150 Hz up to 300 Hz, preset dependant
Max SPL ²	139 dB peak
Coverage	Omni
Connectors	Line Input 2x XLR-F analog balanced / AES3 input Line Output 2x XLR-M Link analog balanced / AES3 output Speaker Output 2x SpeakON NL4 (Ch1 1+/- // Ch2 2+/-) Mains powerCON TRUE1 TOP, 16 A true mains Networking and Data 1x RJ45 4x USB-A
DSP	Input gain, routing matrix, delay, full parametric IIR filters (Peaking, Shelving, Hi/ Lo pass, Hi/Lo Butterworth), Onboard preset, Remote monitoring
Remote control	Wi-Fi dedicated APP K-framework3 via wired Ethernet connection
Amplifier module	4-channel switching mode, Class D
Output power ³	4x 2500 W @ 4 Ω
MAINS Operating Range	100-240V AC, 50-60 Hz with PFC
Power Consumption	600 VA @ 4 Ω load, Pink noise, 1/8 rated power
Protections	Over Temp. (Power Limiting – Thermal Shutdown), Short Circuit/Overload Output Protection, Power Limiting, Clip Limiter/ Permanent Signal Limiter, High Frequency Protection
Handling & Finishes	
IP Rating	IP53
Dimensions (WxHxD)	735 x 580 x 700 mm (28.9 x 22.83 x 27.56 in)
Weight	56 kg (123.4 lb)
Color	Black, White, Custom RAL (on demand)

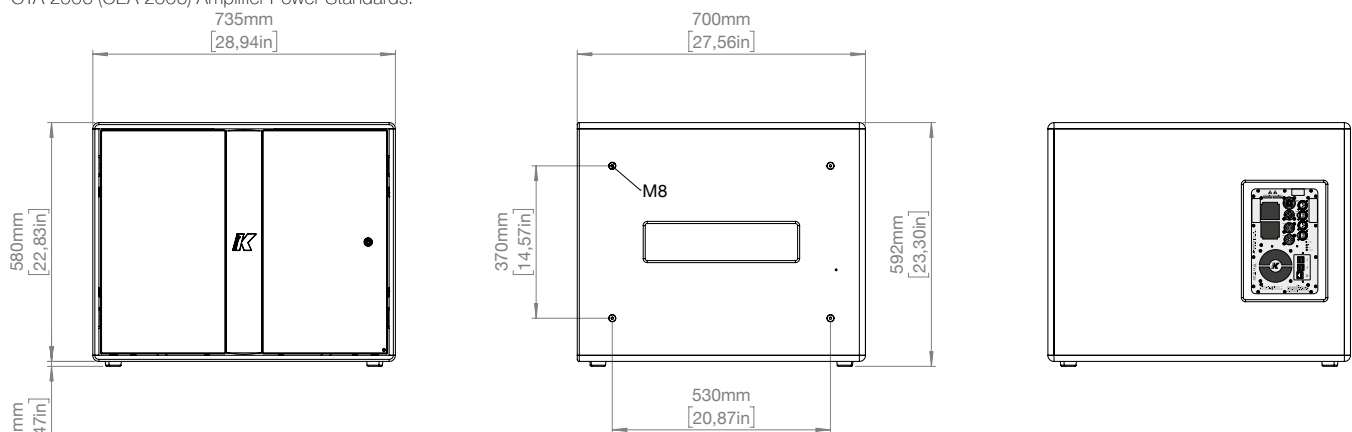
Accessories	
K-FOOT3	Adapter for standing top and midrange loudspeaker on top
K-HCFLY2I	Fly bar for KH2I-KS3I
K-EXTFRAME3	Hardware to suspend KS3I (kit for 1 unit)



¹ Extensible with dedicated preset according to the midrange crossover point.

² Maximum SPL is calculated using a signal with crest factor 4 (12dB) measured at 1 m.

³ CTA-2006 (CEA-2006) Amplifier Power Standards.



Notes:

Passive loudspeakers require dedicated presets loaded onboard K-array amplifiers.
New materials and designs are introduced into existing products without previous notice.
Present systems may differ in some respects from those presented in this document.

