

Rumble-KU26

Ultra-thin, high-power passive subwoofer



Rumble-KU26W



Rumble-KU26

DATASHEET

Installed Sound Rumble-KU26

DESCRIPTION

K-array's compact subwoofers have just been scaled down even more. Components from the K-array subwoofer line have been modified to create a smaller, yet extremely powerful, bass system comprised of one 6" Neodymium transducer and one 6" passive radiator, engineered for maximum linear excursion and minimum residual noise. With a frequency range of 45 Hz to 150 Hz, the Rumble-KU26 is a companion to the K-array Lizard, Vyper, Tornado and Anakonda speakers. The combination provides full range frequency response with prodigious output and a virtually invisible profile.

The KU26 boasts extended frequency response and is electronically protected. Its Neodymium transducer has a dual voice coil (16+16 Ω) for selectable impedance settings (8/32 Ω) allowing you to combine up to eight KU26 units powered by just one KA84 amplifier channel. KU26 is made entirely of steel, making it extremely resistant, even when deployed outside in tough weather conditions. This is ideal for water-front environments where ordinary bass speakers would corrode. It cannot be penetrated by foreign objects like dust, sand or water, which over time can damage an

ordinary audio element. The subwoofer is available in black or white to adapt to the aesthetics for almost all applications and has dedicated accessories available and includes integrated flying points for various setups. The KU26 has been designed to extend the low range in small to medium size rooms. Applications vary from hotels and churches to pubs and restaurants as well as stores and conferences. All KU26 components are designed by the K-array R&D department and custom made under the K-array quality control system.

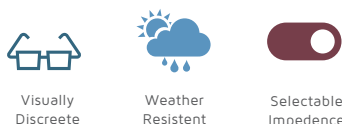
COLORS & PREMIUM FINISHES AVAILABLE



SUGGESTED ACCESSORIES

- K-2SPK
- K-FLY2
- K-KUIP
- K-WALL2
- K-WALL2L
- K-KCLAMP

FEATURES

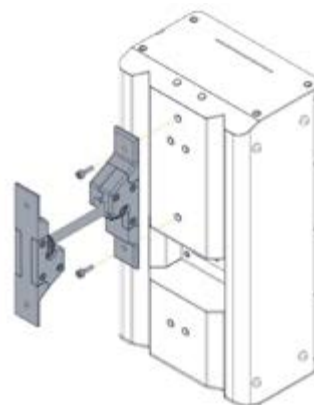


FREQUENT APPLICATIONS

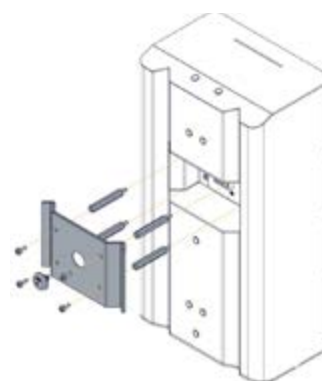
- MUSEUMS
- CAFES, BISTROS & RESTAURANTS
- THEME PARKS
- BROADCAST & STUDIOS
- TRANSPORTATION FACILITIES
- RETAIL
- HOUSES OF WORSHIP
- THEATERS & CONCERT HALLS

TECHNICAL SPECIFICATIONS

ACOUSTICS	
Power handling	2 x 80 W
Impedance	8 / 32 Ω selectable (2 x 16 Ω)
Frequency range (-10 dB)	45 Hz - 150 Hz ⁽¹⁾
SPL 1W/1mt	89 dB ⁽²⁾
Maximum SPL	115 dB (cont.) - 121 dB (peak) ⁽³⁾
COVERAGE	
Horizontal	Omni
Vertical	Omni
CROSSOVER	
Coaxial	External crossover required
Frequency	Low pass @ 150 Hz
TRANSDUCERS	
Type	1 x 6" Neodymium magnet with 1.5" voice coil
Type	1 x 6" passive transducer
POWER AUDIO IN/OUT	
Connectors	1 x 4-pin phoenix connector
RECOMMENDED AMPLIFIERS	
Type	KA14 - KA24
CERTIFICATION	
IP	54 (More complete water protection with K-KUIP accessory)
PHYSICAL OVERVIEW	
Dimensions	35.0 x 18.0 x 11.8 cm (13.77"x 7.08"x 4.64") ⁽⁴⁾
Weight	5.9 Kg (13.0 lb)
<p>Notes for data</p> <ol style="list-style-type: none"> 1. With dedicated preset 2. Measured @ 4 mt then scaled @ 1 mt 3. Measured with musical signal 4. (W x H x D). <p>New materials and design are introduced into existing products without previous notice. Present systems may differ in some respects from those presented in this catalogue.</p>	



Rumble-KU26+
K-WALL2



Rumble-KU26+
K-KUIP

