

Python-KP52 I

3D line array element, selectable beam speaker



DATASHEET

Installed Sound Python-KP52 I

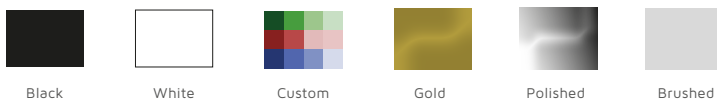
DESCRIPTION

The K-array Python-KP52 I is a passive speaker system comprised of six 3.15" neodymium magnet transducers housed in an elegant and sturdy stainless steel chassis. The vertical dispersion pattern can be switched for wide or narrow coverage, allowing for a great variety of applications. The six closely spaced cone drivers provide true line array characteristics—phase coherence, low distortion and focused listening in both the near field, and at a distance from the speaker. A variety of rigging accessories provides many linking and hanging options

for the KP52 I (0.5 meter) and the larger (1 meter) KP102 I to be combined in vertical and horizontal line array configurations to satisfy many different venue requirements during temporary events and for permanent installations. For easier use and integration with other speakers or amplifiers, the KP52 I allows the user to select two different values of impedance (8Ω – 32Ω). At 32Ω as many as 4 KP52 I speakers can be powered off a single amplifier channel at 8 Ω (up to 8 units @ 4Ω), which eliminates the need of 70 V amplifiers for wider distributed installed

systems. The KP52 I is able to reproduce the whole vocal frequency range with high intelligibility, starting from 100 Hz. Integrating one of the K-array powered subwoofers (KMT12, KMT18, KMT21), configured with specific presets for the KP52 I assures excellent coverage of the entire musical frequency range. The K-array KA amplifier series have pre-sets optimized for KP52 I. All KP52 I components are designed by the K-array R&D department and custom-made under the K-array quality control system.

COLORS & PREMIUM FINISHES AVAILABLE



Pure Array Technology (PAT)

Composed of closely-spaced, full-range sound sources, our line array elements feature Pure Array Technology. With no crossover and no reflex, a perfect phase response is achieved in both the near and far fields, making these columns the perfect solution to cover long distances uniformly. The narrow vertical coverage minimizes the sound spill towards the ceiling and the floor, thus increasing the intelligibility in highly reverberant environments.

SUGGESTED ACCESSORIES

- K-BASE2
- K-FLY2
- K-FOOT2
- K-JOINT2
- K-WALL2
- K-WALL2L

FREQUENT APPLICATIONS

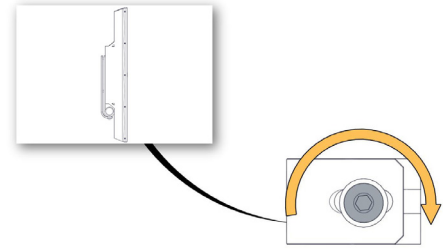
- AUDITORIUMS, EDUCATION & GOVERNMENT
- FITNESS & WELLNESS
- THEATERS & CONCERT HALLS
- STADIUMS & SPORT VENUES
- HOUSES OF WORSHIP
- EVENT PRODUCTIONS
- TOURING, FESTIVALS, CONCERTS & LIVE
- THEME PARKS

FEATURES

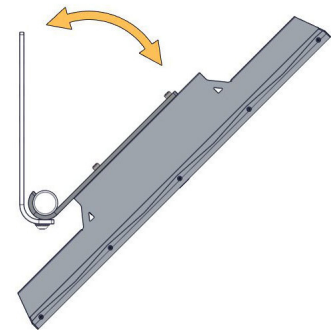
- Visually Discrete
- Weather Resistant
- Lightweight & Compact
- Selectable Coverage
- Selectable Impedance
- Pure Array Technology (PAT)

TECHNICAL SPECIFICATIONS

ACOUSTICS	
Power handling	360 W ^(AES)
Max Power	600 W
Frequency range	100 Hz – 20 kHz (- 10dB) ⁽¹⁾
Impedance	8Ω or 32Ω (selectable)
SPL 1W/1mt	96 dB ⁽²⁾
Maximum SPL	122 dB continuous - 128 dB peak ⁽³⁾
COVERAGE	
Horizontal	90°
Vertical	10° - 45° (selectable)
CROSSOVER	
Type	External Crossover required
Frequency	100 Hz, 24 dB/oct suggested minimum
TRANSDUCERS	
Full-range	6 x 3.15" Neodymium magnet with 1" voice coil
SELECTION SWITCHES	
Impedance	8Ω - 32Ω
Coverage	Spot - Flood
POWER AUDIO INPUTS	
Connectors	2 x 4-pin Speakon
Wiring	1+ 1- (signal IN & LINK); 2+ 2- (through)
RECOMMENDED AMPLIFIERS	
Type	KA24, KA84, KMT
CERTIFICATIONS	
IP	54
PHYSICAL OVERVIEW	
Dimensions	8.9 x 52.0 x 11.8 cm (3.50" x 20.47" x 4.64 ") ⁽⁴⁾
Weight	5.8 Kg (12.78 lb)
<p>Notes for data</p> <ol style="list-style-type: none"> 1. With dedicated preset; 2. Measured @8 m, then scaled @1 m; 3. Measured with musical signal; 4. (W x H x D). <p>New materials and design are introduced into existing products without previous notice. Present systems may differ in some respects from those presented here catalogue.</p>	



Python-KP52 I+
K-WALL2L



Python-KP52 I+
K-WALL2L

