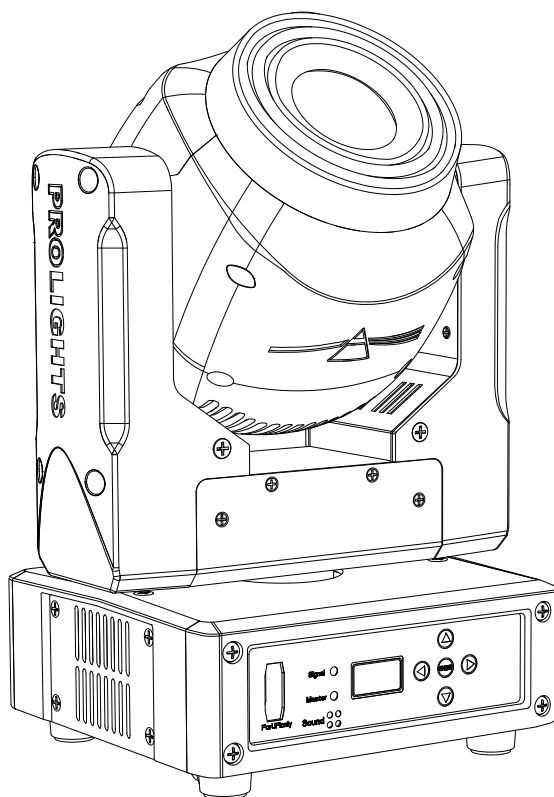


# TRIBE®

## JETSPOT1

MOVING HEAD



USER MANUAL  
MANUALE UTENTE

All rights reserved by Music & Lights S.r.l. No part of this instruction manual may be reproduced in any form or by any means for any commercial use.

In order to improve the quality of products, Music&Lights S.r.l. reserves the right to modify the characteristics stated in this instruction manual at any time and without prior notice.  
All revisions and updates are available in the 'manuals' section on site [www.musiclights.it](http://www.musiclights.it)

**TABLE OF CONTENTS****Safety**

General instructions .....	2
Warnings and installation precautions .....	2

**1 Introduction**

1.1 Description .....	3
1.2 Technical specifications .....	3
1.3 Operating elements and connections .....	5

**2 Installation**

2.1 Mounting .....	6
--------------------	---

**3 Functions and settings**

3.1 Operation .....	7
3.2 Basic .....	7
3.3 Using the menu .....	8
3.4 Menu structure .....	8
3.5 Linking .....	9
3.6 DMX mode .....	9
3.7 DMX configuration .....	9
3.8 DMX addressing .....	10
3.9 Fixture settings .....	11
3.10 Advanced .....	12
3.11 Fixture information .....	13
3.12 Operation in automatic mode .....	13
3.13 Sensitivity microphone .....	13
3.14 Connection of the DMX line .....	14
3.15 Construction of the DMX termination .....	14
3.16 DMX control .....	15
3.17 Color .....	17

**4 Maintenance**

4.1 Maintenance and cleaning the unit .....	18
4.2 Fuse replacement .....	18
4.3 Trouble shooting .....	19

**Packing content**

- JETSPOT1
- Mount bracket
- User manual



**WARNING!** Before carrying out any operations with the unit, carefully read this instruction manual and keep it with care for future reference. It contains important information about the installation, usage and maintenance of the unit.



## SAFETY

### General instruction

- The products referred to in this manual conform to the European Community Directives and are therefore marked with **CE**.
- The unit is supplied with hazardous network voltage (230V~). Leave servicing to skilled personnel only. Never make any modifications on the unit not described in this instruction manual, otherwise you will risk an electric shock.
- Connection must be made to a power supply system fitted with efficient earthing (Class I appliance according to standard EN 60598-1). It is, moreover, recommended to protect the supply lines of the units from indirect contact and/or shorting to earth by using appropriately sized residual current devices.
- The connection to the main network of electric distribution must be carried out by a qualified electrical installer. Check that the main frequency and voltage correspond to those for which the unit is designed as given on the electrical data label.
- This unit is not for home use, only professional applications.
- Never use the fixture under the following conditions:
  - in places wet;
  - in places subject to vibrations or bumps;
  - in places with an ambient temperature of over 45°C.
- Make certain that no inflammable liquids, water or metal objects enter the fixture.
- Do not dismantle or modify the fixture.
- All work must always be carried out by qualified technical personnel. Contact the nearest sales point for an inspection or contact the manufacturer directly.
- If the unit is to be put out of operation definitively, take it to a local recycling plant for a disposal which is not harmful to the environment.



### Warnings and installation precautions

- If this device will be operated in any way different to the one described in this manual, it may suffer damage and the guarantee becomes void. Furthermore, any other operation may lead to dangers like short circuit, burns, electric shock, etc.
- Before starting any maintenance work or cleaning the projector, cut off power from the main supply.
- Always additionally secure the projector with the safety rope. When carrying out any work, always comply scrupulously with all the regulations (particularly regarding safety) currently in force in the country in which the fixture's being used.
- For inside use only. Not designed for outside use.
- The minimum distance between the fixture and surrounding walls must be more than 50 cm and the air vents at the housing must not be covered in any case.
- Install the fixture in a well ventilated place.
- Keep any inflammable material at a safe distance from the fixture.
- The maximum temperature that can be reached on the external surface of the fitting, in a thermally steady state, is high. After power off, please cool down over 15 minutes.
- Shields, lenses or ultraviolet screens shall be changed if they have become damaged to such an extent that their effectiveness is impaired.
- The lamp (LED) shall be changed if it has become damaged or thermally deformed.
- Never look directly at the light beam. Please note that fast changes in lighting, e. g. flashing light, may trigger epileptic seizures in photosensitive persons or persons with epilepsy.
- This product was designed and built strictly for the use indicated in this documentation. Any other use, not expressly indicated here, could compromise the good condition/operation of the product and/or be a source of danger.
- We decline any liability deriving from improper use of the product.

## - 1 - INTRODUCTION

### 1.1 DESCRIPTION

JETSPOT1 is an extremely compact LED spotlight designed to deliver a bright, even beam from the smallest footprint possible. Ideal where space is an issue, the JETSPOT1 simply offers the best value for money in its segment with a light output far exceeding expectations. All packaged in a compact size and offered at an affordable price.

### 1.2 TECHNICAL SPECIFICATIONS

#### LIGHT SOURCE

- Source: 18W high-power white LED
- CT: 7000K
- CRI: 73
- Luminous flux: 1288lm
- Lux: 2533lx @3 m
- Lux: 227.97lx @10 m
- Source life expectancy: >30.000 h

#### OPTICS

- Beam angle: 16°
- Lens type: high-quality glass lens optics

#### COLOUR SYSTEM

- Colour wheel: 9 dichroic filters + open

#### DYNAMIC EFFECTS

- Fixed gobos: 9 fixed gobos + open
- Auto mode: built-in programs with execution speed adjustment
- Sound mode: music activation through internal microphone and sensitivity control

#### BODY

- Pan angle: 540°
- Tilt angle: 270°
- Pan/Tilt resolution: 8 / 16 bit
- Feedback: automatic repositioning after accidental movement
- Body: aluminium structure with hi-resistance polycarbonate cover
- Body colour: black, white finishing available

#### CONTROL

- Protocols: DMX512, RDM
- DMX channels: 8 / 10channel
- W-DMX: optional, proprietary protocol compatible with WIFIBOX, WDBOX
- RDM: RDM ready for fixture remote monitor and settings
- Display: black OLED high resolution display
- Firmware upgrade: yes, via USB - DMX interface (UPBOX1) not included
- Master/Slave: for synchronized operation of more units linked in a chain

**ELECTRONICS**

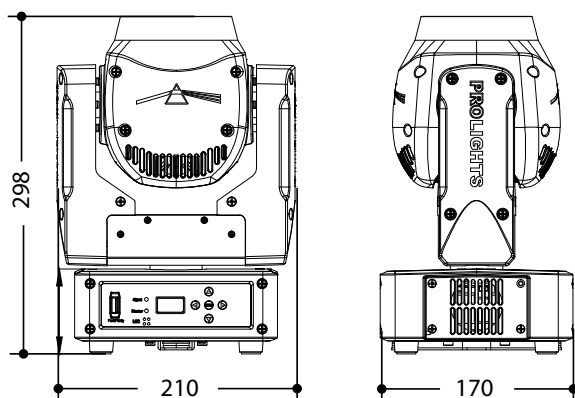
- Dimmer: linear 0 ~ 100% electronic dimmer
- Strobe / shutter: 0~30 Hz, electronic
- Operating temperature: -10° ~ +45°
- Flicker: flicker free operation

**ELECTRICAL**

- Power supply: 100-240 V – 50/60 Hz
- Power consumption (at 230V): 40.6W
- Power consumption (at 120V): 39.7W
- Output (at 230V): 67 units on a single power line
- Output (at 120V): 37 units on a single power line

**PHYSICAL**

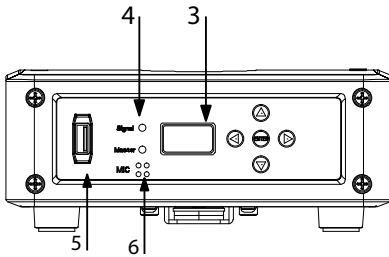
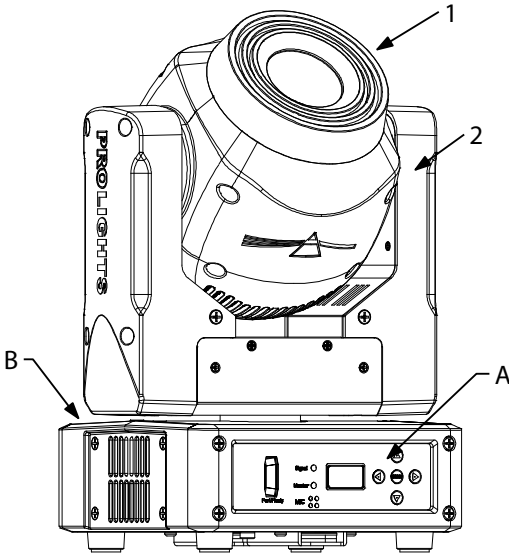
- Cooling: forced air with low noise fan
- Suspension and fixing: any position with quick-lock omega brackets
- Data: USB port for USB WIFI transmitter (optional)
- Signal connection: XLR 5p IN/OUT connectors
- Power connection: Seetronic powerCON IN/OUT connectors
- IP rating: 20
- Dimensions (WxHxD): 210x308x170mm
- Weight: 4.2kg



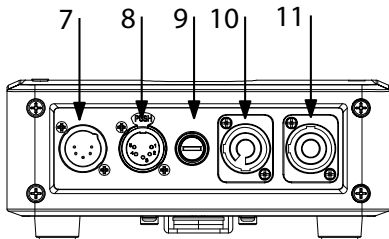
Technical drawing

Fig.1

1.3 OPERATING ELEMENTS AND CONNECTIONS



View A



View B

1. MOVING HEAD
2. ROTARY ARM
3. CONTROL PANEL with LCD display and 5 button used to access the control panel functions and manage them.
4. LED INDICATOR
5. Universal Serial Bus (USB)
6. MICROPHONE
7. DMX IN (XLR a 5 poli): 1 = massa, 2 = DMX -, 3 = DMX +, 4 N/C, 5 N/C
8. DMX OUT (XLR a 5 poli): 1= massa, 2 = DMX -, 3 = DMX +, 4 N/C, 5 N/C
9. MAIN FUSE HOLDER: replace a burnt-out fuse by one of the same type only.
10. POWER IN (PowerCON IN): for connection to a socket (100-240V~/50-60Hz) via the supplied mains cable.
11. POWER OUT: (PowerCON OUT) to connect multiple units in series.

Fig.2





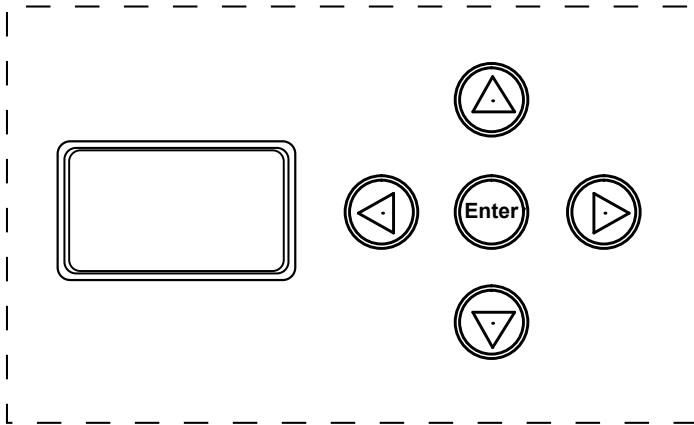
## - 3 - FUNCTIONS AND SETTINGS

### 3.1 OPERATION

Connect the supplied main cable to a socket (100-240V~/50-60Hz). The unit will run built-in program to reset all motors to their home position. Shortly after that the JETSPOT1 is ready for operation. To switch off, disconnect the mains plug from the socket. For a more convenient operation it is recommended to connect the unit to a socket which can be switched on and off via light switch.

### 3.2 BASIC

The control panel of JETSPOT1 has a display and 5 buttons for the complete programming and management of the projector menu (fig.4).



UP	DOWN	LEFT	RIGHT	ENTER
Increases the value displayed or passes to the previous item in a menu	Decreases the value displayed or passes to the next item in the menu	To enter in the main menu or to return to the top level	Commute from units, tens, hundred in the menu	Confirms the displayed value, or activates the displayed function, or enters the successive menu

#### Reversal of the display

To activate this function, hold simultaneously for 3 seconds UP and DOWN buttons while the display is in the rest mode. This status will be memorised and maintained even for the next time it will be switched on.

To return to the initial state, repeat the operation all over again.

Fig.4 - Functions of the buttons

### 3.3 USING THE MENU

1. Press the ENTER button to access the main menu.
2. Use the UP/DOWN button to select the menu to be used:
  - Connect;
  - Setup;
  - Advanced;
  - Information;
  - Stand alone;
3. Press ENTER to display the first item in the selected menu.
4. Use the UP/DOWN button to select the menu items.

NOTE - The display can be in one of two conditions: rest status and setting status. When it is in the rest status, the display shows the projector's DMX address. During menu setting status, after a wait time without any key having been pressed, the display automatically returns to rest status.

It should be noted than when this condition occurs, any possible value that has been modified but not yet confirmed with the ENTER button will be cancelled.

### 3.4 MENU STRUCTURE

MENU	
1	<b>CONNECT</b> ⇒ DMX Address ⇒ Value (1-512)
	DMX Mode ⇒ Basic 8-8CH Basic 16-10CH
2	<b>SET UP</b> ⇒ Movement ⇒ Pan Reverse ⇒ YES/NO
	Tilt Reverse ⇒ YES/NO
	Screen ⇒ Backlight ⇒ ON
	10s
	20s
	30s
	Flip Display ⇒ YES/NO
	Warn Cue ⇒ ON/OFF
	Key Lock ⇒ ON/OFF
	Auto Test ⇒ Auto Test
Manual Test ⇒ Pan ⇒ Value (000-255) for each function	
Pan Fine	
Tilt	
Tilt Fine	
Pan/Tilt Speed	
Dimmer	
Shutter	
Color	
Gobo	

3	<b>ADVANCED</b>	⇒ Reset	⇒ All Pan Tilt Color Gobo	⇒ YES/NO
		Adjust	⇒ Pan Offset Tilt Offset Color Offset Gobo Offset	⇒ Value (000-255) for each function
		Factory Reload	⇒ YES/NO	
4	<b>INFORMATION</b>	⇒ Fixture Time Temperature Fans Speed Software Ver. UID		
5	<b>STAND ALONE</b>	⇒ Play	⇒ Master/Slave Sequence	⇒ Master Slave Show 1 Show 2 Show 3 Show 4 ⇒ Value (001-100%) Mic Sens.

**3.5 LINKING**

Several units may be interconnected in order to control all further slave units to the same effect of the master unit.

1. Connect the DMX OUT of the master unit via 5-pole XLR cable to the DMX IN of the first slave unit.
2. Connect the DMX OUT of the first slave unit to the DMX IN of the second slave unit, etc. until all units are connected in a chain.

**3.6 DMX ADDRESS**

To enter the DMX mode, follow these steps:

- Press the ENTER button to access the main menu.
- Press the UP/DOWN button to scroll the menu, select the **Connect** icon, then press the ENTER button to enter the next menu.
- Press the UP/DOWN button to scroll through the menu, select the **Address** and press the ENTER key.
- Press the arrow keys to select the desired value (**001-512**).
- Press the ENTER key to confirm the setting.
- Press the LEFT button repeatedly to exit the menu and save changes.

**3.7 DMX CONFIGURATION**

The JETSPOT1 has different DMX channel configurations which can be accessed from the control panel.

- Press the ENTER button to access the main menu.
- Press the UP/DOWN button to scroll the menu, select the **Connect** icon, then press the ENTER button to enter the next menu.
- Press the UP/DOWN button to scroll through the menu, select **DMX Mode** and press the ENTER button to enter the next menu.
- Press the UP/DOWN button to scroll through the menu, select the mode and press ENTER to confirm your choice.
- Press the LEFT button repeatedly to exit the menu and save changes.
- The unit is equipped with 5-pole XLR connections.

### 3.8 DMX ADDRESSING

For operation via light control unit with DMX512 protocol, is sufficient connect the controller to JETSPOT1. To able to operate the JETSPOT1 with a light controller, adjust the DMX start address for the first a DMX channel. If e. g. address 33 on the controller is provided for controlling the function of the first DMX channel, adjust the start address 33 on the JETSPOT1. The other functions of the light effect panel are then automatically assigned to the following addresses.

An example with the start address 33 is shown below:

Number of DMX channels	Start address (example)	DMX Address occupied	Next possible start address for unit No. 1	Next possible start address for unit No. 2	Next possible start address for unit No. 3
8	33	33-40	41	49	57
16	33	33-48	49	65	81

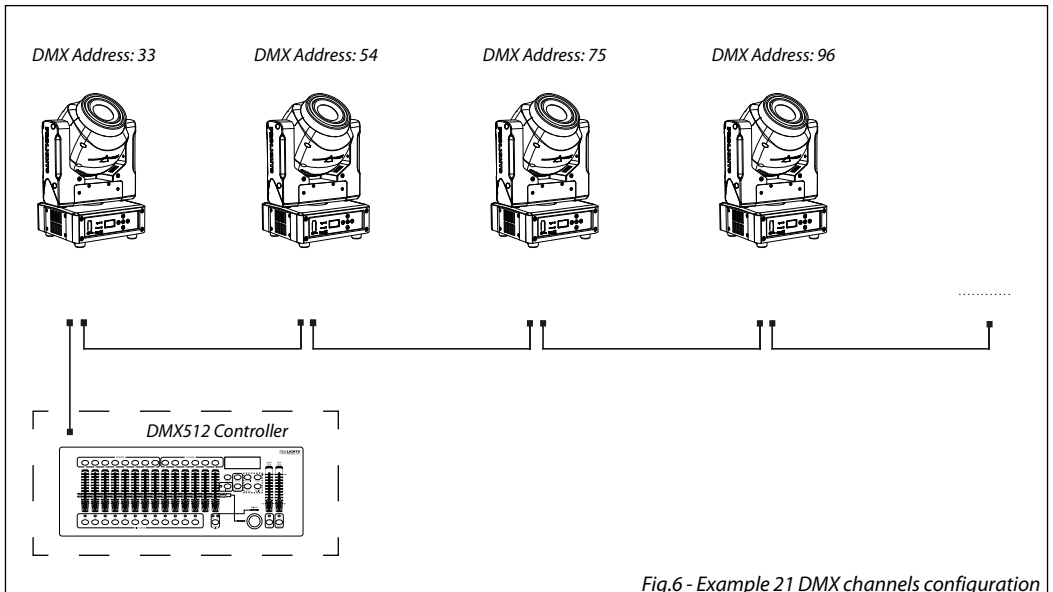


Fig.6 - Example 21 DMX channels configuration

### 3.9 FIXTURE SETTINGS

You can change the parameters for the device by following these steps:

#### MOVEMENT

- Press the ENTER button to access the main menu.
- Press the UP/DOWN button to scroll the menu, select the **Set Up** icon, then press the ENTER button to enter the next menu.
- Press the UP/DOWN button to scroll through the menu, then select **Movement** and press the ENTER button to enter the next menu.
- Use the UP/DOWN button to select the option proposed and press the ENTER button to confirm the setting.
  - **Pan Reverse** - Pan rotation in the opposite direction. Select **NO** to deactivate the function (normal setting); **YES** to activate the function (Pan Reverse).
  - **Tilt Reverse** - Used for reversing tilt movement. Select **NO** to deactivate the function (normal setting); **YES** to activate the function (Tilt Reverse).
  - **Pan/Tilt Feedbacks** - Reorganization Pan/Tilt position after rolling away. Select **NO** to deactivate or **YES** to activate the function.
- Press the ENTER button to confirm your choice.
- Press the LEFT button repeatedly to exit the menu and save changes.

#### SCREEN

You can change the following parameters related to the display, following the same procedure:

- Press the ENTER button to access the main menu.
- Press the UP / DOWN keys to scroll the menu, select the **Set Up** icon, then press the ENTER button to enter the next menu.
- Press UP / DOWN to scroll through the menu, then select **Screen**, and press the ENTER button to enter the next menu.
- Press UP / DOWN to scroll through the menu, and then select one of the following settings for the display and press the ENTER key to display it.
  - **Back Light** - Backlight display Auto Off. This feature allows you to automatically turn off the backlight after a specified time that you can set using the arrow buttons. To have the display always on select **Always On** or choose another value to turn off the display after the amount of time you choose.
  - **Flip Display** - Orientation of the display. This function allows you to rotate the display 180° to get a better view of the display when the unit is hanging upside down. Select **YES** to activate or **NO** to disable this function.
  - **Key Lock** - Lock keys. With this function, you can lock the buttons on the control panel. If this function is activated, the keys are automatically locked. To disable or temporarily disable the key lock function, press the buttons in the following order to regain access to menu commands: UP, DOWN, UP, DOWN, RIGHT. Select **YES** to activate or **NO** to disable.
- Press the ENTER button to confirm your choice.
- Press the LEFT button repeatedly to exit the menu and save changes.

#### FIXTURE

**Fans Mode** - Select this function to set the fans operation mode:

- Press the ENTER button to access the main menu.
- Press the UP/DOWN button to scroll the menu, select the Set icon, then press the ENTER button to enter the next menu.
- Press the UP/DOWN button to scroll through the menu, select UI Set, and press the ENTER button to enter the next menu.
- Press the UP/DOWN button to scroll through the menu, and then select Fans Mode and press ENTER

to confirm.

- Press the UP/DOWN button to select Auto Speed/High Speed, press the ENTER button to confirm your choice.
- Press the LEFT button repeatedly to exit the menu and save changes

**Temperature** - Select this function to set the temperature unit measurement shown on the display:

- Press the ENTER button to access the main menu.
- Press the UP/DOWN to scroll through the menu, select the Set icon, then press the ENTER button to enter the next menu.
- Press the UP/DOWN to scroll through the menu, select UI Set, and press the ENTER button to enter the next menu.
- Press the UP/DOWN button to scroll through the menu, select Temperature C/F and press ENTER to confirm.
- Press the UP/DOWN button to select the unit of measure Celsius/Fahrenheit and press the ENTER button to confirm your choice.
- Press the LEFT button repeatedly to exit the menu and save changes.
- **Auto and Manual test:** with this menu, you can test all functions; with auto the moving head will start an auto test, with manual you can choose each channel/function to test.

### 3.10 ADVANCED

#### Reset Functions

You can start a preset program to restore the selected function:

- Press the ENTER button to access the main menu.
- Press the UP/DOWN button to scroll the menu, select the **Advanced** icon, then press the ENTER button to enter the next menu.
- Press the UP/DOWN button to scroll through the menu, select **Reset** and press the ENTER button to enter the next menu.
- Press the UP/DOWN button to scroll through the menu, then select the function you wish to reset between **All, Pan&Tilt, Colors, Gobo**.
- Press the ENTER button to confirm your choice and wait for the recovery of the selected function.

#### Adjust

Adjusts the lamp. This function allows you to modify all the parameters of the lamp: **Pan Offset, Tilt Offset, Color Offset, Gobo Offset**.

- Press the ENTER button to access the main menu.
- Press the UP/DOWN button to scroll the menu, select the **Advanced** icon, then press the ENTER button to enter the next menu.
- Press the UP/DOWN button to scroll through the menu, select **Adjust** and press the ENTER button to enter the next menu.
- Press the UP/DOWN button to select one of the parameters and press ENTER to edit the value (000-255) through the UP/DOWN button.
- Press the ENTER button to confirm your choice and then press the MENU button repeatedly to exit the menu and save changes.

#### Factory Reload

Select this function to reset the unit to factory settings:

- Press the ENTER button to access the main menu.
- Press the UP/DOWN button to scroll the menu, select the **Advanced** icon, then press the ENTER button

to enter the next menu.

- Press the UP/DOWN button to scroll through the menu, select **Factory Reload** and press the ENTER button to enter the next menu.
- Press the UP/DOWN button to select **YES** or **NO**, then press the ENTER button to confirm.

### 3.11 FIXTURE INFORMATION

To view all the information on the device, proceed as follows:

- Press the ENTER button to access the main menu.
- Press the UP/DOWN button to scroll the menu, select the icon **Information**, then press the ENTER button to enter the next menu.
- Press the UP/DOWN button to scroll through the menu, then select one of the following information and press the ENTER button to display it.
  - **Fixture Time** - Through the **Fixture Time** function you can display the operating time of the projector.
  - **Temperature** - Through the **Temperature** function can be displayed the temperature inside the fixture, near the lamp. The temperature can be displayed in degrees Celsius or Fahrenheit.
  - **Fans Speed** - Through the **Fans Speed** function you can show on display the fan speed present near the lamp. Velocity is expressed in RPM (revolutions per minute).
  - **Software Version** - Through **Software Version** function you can display the currently installed software version.
  - **UID** - This option shows the RDM identification number.
- Press the LEFT button repeatedly to exit the menu.

**RDM** - With this function you can call up various submenus via RDM. This device is RDM ready. RDM stands for "Remote Device Management" and makes remote control of devices connected to the DMX-bus possible. Manual settings like adjusting the DMX starting address are no longer needed. RDM is integrated in DMX without influencing the connections. The RDM-data is transmitted via the standard XLR-poles 1 and 2 so new DMX-cables are not necessary. RDM ready and conventional DMX devices can be operated in one DMX line. If DMX splitters are used and RDM control is to be used, these splitters must support RDM.

### 3.12 OPERATIONS IN AUTOMATIC MODE

The unit independently runs through its show. Before you send an automatic program you need to set the drive as Master/Alone:

- Press the ENTER button to access the main menu.
- Press the UP/DOWN button to scroll the menu, select the **Stand Alone** icon, then press the ENTER button to enter the next menu.
- Press the UP/DOWN button to scroll through the menu, select **Play** and press the ENTER button to enter the next menu.
- Press the UP/DOWN button to scroll through the menu, select **Sequence** and press ENTER to confirm your choice.
- Press the UP/DOWN button to select the mode of operation:
  - **Master**, if the unit is connected in series with other units and it acts as the Master;
  - **Slave**, if the unit is connected in series with other units and it acts as the Slave;
- Press the ENTER button to confirm your choice.
- Press the LEFT button repeatedly to exit the menu and save changes.

The unit will go into automatic mode by executing the program automatically.

### 3.13 SENSITIVITY MICROPHONE

Select this function to set the value of the sensitivity of the microphone for use with a music control:

- Press the ENTER button to access the main menu.
- Press the UP/DOWN button to scroll the menu, select the **Stand Alone** icon, then press the ENTER button

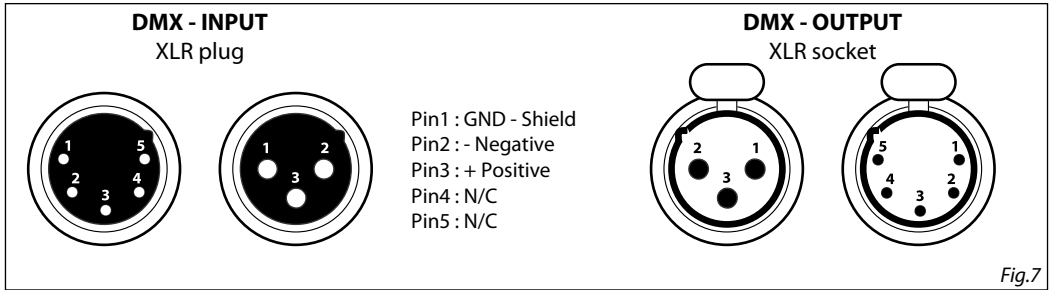
to enter the next menu.

- Press the UP/DOWN button to scroll through the menu, select **Play**, and press the ENTER button to enter the next menu.
- Press the UP/DOWN button to scroll through the menu, then select **Mic Sens.** and press ENTER to confirm.
- Press the UP/DOWN button to adjust the level of sensitivity of the microphone, and then press the ENTER button to confirm your choice.
- Press the LEFT button repeatedly to exit the menu and save changes.

### 3.14 CONNECTION OF THE DMX LINE

DMX connection employs standard XLR connectors. Use shielded pair-twisted cables with 120Ω impedance and low capacity.

The following diagram shows the connection mode:



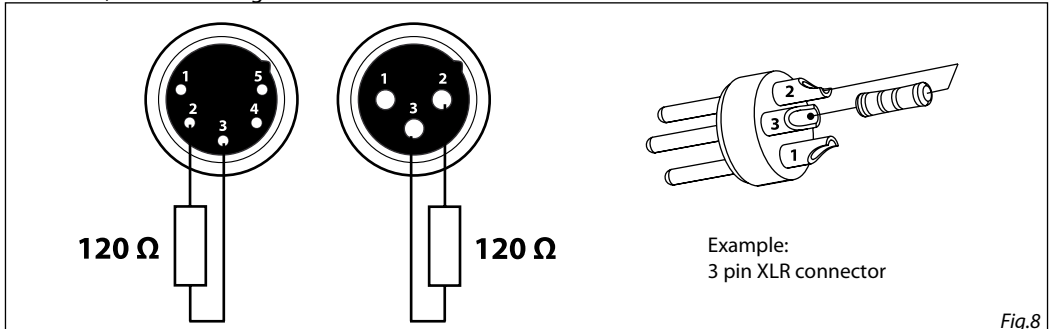
**ATTENTION** - The screened parts of the cable (sleeve) must never be connected to the system's earth, as this would cause faulty fixture and controller operation. Over long runs can be necessary to insert a DMX level matching amplifier. For those connections the use of balanced microphone cable is not recommended because it cannot transmit control DMX data reliably.

- Connect the controller DMX input to the DMX output of the first unit.
- Connect the DMX output to the DMX input of the following unit. Connect again the output to the input of the following unit until all the units are connected in chain.
- When the signal cable has to run longer distance is recommended to insert a DMX termination on the last unit.

### 3.15 CONSTRUCTION OF THE DMX TERMINATION

The termination avoids the risk of DMX 512 signals being reflected back along the cable when they reach the end of the line: under certain conditions and with certain cable lengths, this could cause them to cancel the original signals.

The termination is prepared by soldering a 120Ω 1/4 W resistor between pins 2 and 3 of the 5-pin male XLR connector, as shown in figure.





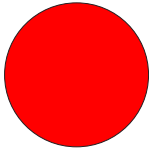
## 3.16 DMX CONTROL

BAS-8 8 ch	BAS-16 10 ch	FUNCTION	DMX Value
1	1	<b>PAN</b> Pan Coarse	000 - 255
	2	<b>PAN FINE</b> Pan Fine	000 - 255
2	3	<b>TILT</b> Tilt Coarse	000 - 255
	4	<b>TILT FINE</b> Tilt Fine	000 - 255
3	5	<b>MOVEMENT SPEED</b> Fastest to slowest	000 - 255
4	6	<b>SHUTTER</b> Shutter closed No function (shutter open) Strobe effect slow to fast No function (shutter open) Pulse-effect in sequences No function (shutter open) Random strobe effect slow to fast No function (shutter open)	000 - 010 011 - 030 031 - 085 086 - 105 106 - 160 161 - 180 181 - 235 236 - 255
5	7	<b>DIMMER</b> Dimmer (close to open)	000 - 255
6	8	<b>COLOR Indexed</b> Open Open+DARK RED DARK RED DARK RED + DARK BLUE DARK BLUE DARK BLUE + YELLOW YELLOW YELLOW + GREEN GREEN GREEN + LIGHT ORANGE LIGHT ORANGE LIGHT ORANGE + MAGENTA MAGENTA MAGENTA + C.T.B C.T.B C.T.B + C.T.O. C.T.O. C.T.O. + UV FILTER UV FILTER UV FILTER + Open	000 - 006 007 - 012 013 - 019 020 - 025 026 - 031 032 - 038 039 - 044 045 - 050 051 - 057 058 - 063 064 - 069 070 - 076 077 - 082 083 - 088 089 - 095 096 - 101 102 - 107 108 - 114 115 - 120 121 - 127

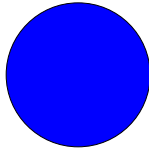
<b>BAS-8</b>	<b>BAS-16</b>	<b>FUNCTION</b>	<b>DMX</b>
<b>8 ch</b>	<b>10 ch</b>		<b>Value</b>
6	8	<b>Forward Spin</b>	128 - 189
		Stop to fast	
		<b>Stop roation</b>	190 - 193
		Stop	
		<b>Reverse Spin</b>	194 - 255
		Fast to Stop	
7	9	<b>GOBO</b>	
		<b>Index</b>	
		Open	000 - 006
		Gobo 1	007 - 012
		Gobo 2	013 - 018
		Gobo 3	019 - 025
		Gobo 4	026 - 031
		Gobo 5	032 - 037
		Gobo 6	038 - 044
		Gobo 7	045 - 050
		Gobo 8	051 - 056
		Gobo 9	057 - 063
		Gobo Shake 1 (slow to fast)	064 - 071
		Gobo Shake 2 (slow to fast)	072 - 078
		Gobo Shake 3 (slow to fast)	079 - 085
		Gobo Shake 4 (slow to fast)	086 - 092
		Gobo Shake 5 (slow to fast)	093 - 099
		Gobo Shake 6 (slow to fast)	100 - 106
		Gobo Shake 7 (slow to fast)	107 - 113
Gobo Shake 8 (slow to fast)	114 - 120		
Gobo Shake 9 (slow to fast)	121 - 127		
		<b>Forward Spin</b>	
		Slow to fast	128 - 191
		<b>Reverse Spin</b>	
		Fast to Slow	192 - 255
8	10	<b>CONTROL</b>	
		No function	000 - 039
		Enable blackout while Pan/Tilt move (Hold 3 Second)	040 - 049
		Disable blackout while Pan/Tilt move (Hold 3 Second)	050 - 059
		Enable blackout while color change (Hold 3 Second)	060 - 069
		Disable blackout while color change (Hold 3 Second)	070 - 079
		Enable blackout while gobo change (Hold 3 Second)	080 - 089
		Disable blackout while gobo change (Hold 3 Second)	090 - 099
		Pan Reset (Hold 3 Second)	100 - 109
		Tilt Reset (Hold 3 Second)	110 - 119
		Color Reset (Hold 3 Second)	120 - 129
		Gobo Reset (Hold 3 Second)	130 - 139
		No function	140 - 199
		Reset all (Hold 3 Second)	200 - 209
		No function	210 - 255

3.17 COLOR E GOBOS

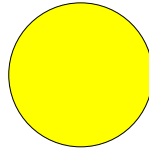
COLOR WHEEL



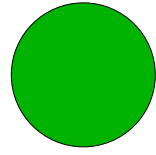
1 - RED



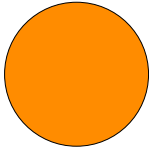
2 - BLUE



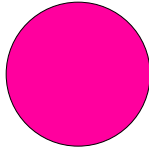
3 - YELLOW



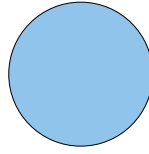
4 - GREEN



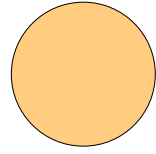
5 - LIGHT ORANGE



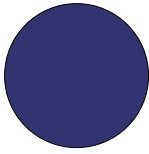
6 - MAGENTA



7 - CTB

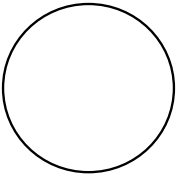


8 - CTO

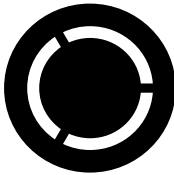


9 - UV FILTER

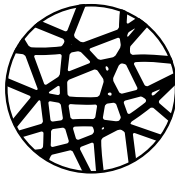
GOBOS



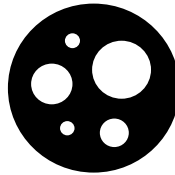
01



02



03



04



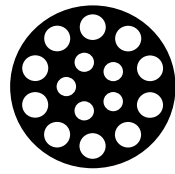
05



06



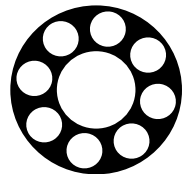
07



08



09



10

## - 4 - MAINTENANCE

### 4.1 MAINTENANCE AND CLEANING THE UNIT

- Make sure the area below the installation place is free from unwanted persons during setup.
- Switch off the unit, unplug the main cable and wait until the unit has cooled down.
- All screws used for installing the device and any of its parts should be tightly fastened and should not be corroded.
- Housings, fixations and installation spots (ceiling, trusses, suspensions) should be totally free from any deformation.
- When the lens is visibly damaged due to cracks or deep scratches, it must be replaced.
- The main cables must be in impeccable condition and should be replaced immediately even when a small problem is detected.
- In order to protect the device from overheating the cooling fans (if any), and ventilation openings should be cleaned monthly.

To ensure optimal operation and performance for a long time it is essential to periodically clean the parts subject to dust and grease deposits. The frequency with which the following operations are to be carried out depends on various factors, such as the amount of the effects and the quality of the working environment (air humidity, presence of dust, salinity, etc.). Use a soft cloth dampened with any detergent liquid for cleaning glass to remove the dirt from the reflectors, from the lenses and filters.

It is recommended that the projector undergoes an annual service by a qualified technician for special maintenance involving at least the following operations:

- General cleaning of internal parts..
- Restoring lubrication of all parts subject to friction, using lubricants specifically.
- General visual check of the internal components, cabling, mechanical parts, etc.
- Electrical, photometric and functional checks; eventual repairs.

Warning: we strongly recommend internal cleaning to be carried out by qualified personnel!

### 4.2 FUSE REPLACEMENT

1. Disconnect this product from the power outlet.
2. Using a screwdriver, unscrew the fuse holder cap from the housing.
3. Remove the blown fuse and replace with a good fuse of the same type and rating.
4. Screw the fuse holder cap back in place and reconnect power.

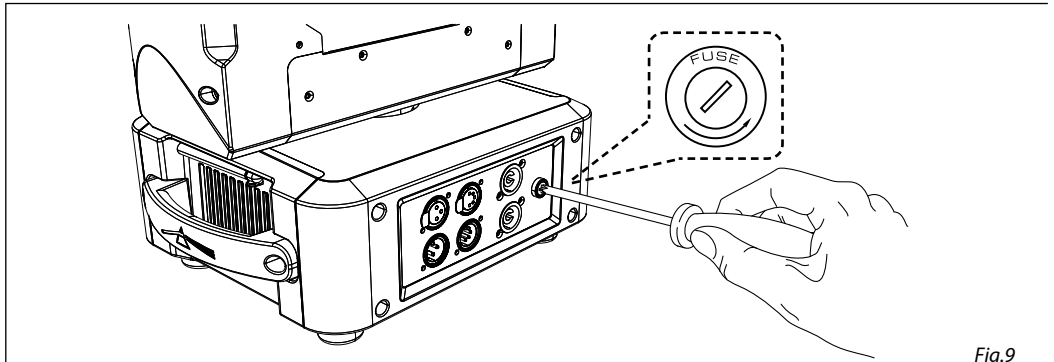


Fig.9

### 4.3 TROUBLESHOOTING

Problems	Possible causes	Checks and remedies
Fixture does not light up	<ul style="list-style-type: none"> <li>• No mains supply</li> <li>• Dimmer fader set to 0</li> <li>• All color faders set to 0</li> <li>• Faulty LED</li> <li>• Faulty LED board</li> </ul>	<ul style="list-style-type: none"> <li>• Check the power supply voltage</li> <li>• Increase the value of the dimmer channels</li> <li>• Increase the value of the color channels</li> <li>• Replace the LED board</li> <li>• Replace the LED board</li> </ul>
General low light intensity	<ul style="list-style-type: none"> <li>• Dirty lens assembly</li> <li>• Misaligned lens assembly</li> </ul>	<ul style="list-style-type: none"> <li>• Clean the fixture regularly</li> <li>• Install lens assembly properly</li> </ul>
Fixture does not power up	<ul style="list-style-type: none"> <li>• No power</li> <li>• Loose or damaged power cord</li> <li>• Faulty internal power supply</li> </ul>	<ul style="list-style-type: none"> <li>• Check for power on power outlet</li> <li>• Check power cord</li> <li>• Replace internal power supply</li> </ul>
Fixture does not respond to DMX	<ul style="list-style-type: none"> <li>• Wrong DMX addressing</li> <li>• Damaged DMX cables</li> <li>• Bouncing signals</li> </ul>	<ul style="list-style-type: none"> <li>• Check control panel and unit addressing</li> <li>• Check DMX cables</li> <li>• Install terminator as suggested</li> </ul>

Contact an authorized service center in case of technical problems or not reported in the table can not be resolved by the procedure given in the table.

Music & Lights S.r.l. si riserva ogni diritto di elaborazione in qualsiasi forma delle presenti istruzioni per l'uso.  
La riproduzione - anche parziale - per propri scopi commerciali è vietata.

Al fine di migliorare la qualità dei prodotti, la Music&Lights S.r.l. si riserva la facoltà di modificare, in qualunque momento e senza preavviso, le specifiche menzionate nel presente manuale di istruzioni.  
Tutte le revisioni e gli aggiornamenti sono disponibili nella sezione 'Manuali' sul sito [www.musiclights.it](http://www.musiclights.it)

<b>INDICE</b>	<b>Sicurezza</b>	
	Avvertenze generali .....	4
	Attenzioni e precauzioni per l'installazione .....	4
	<b>1 Introduzione</b>	
	1.1 Descrizione .....	5
	1.2 Specifiche tecniche .....	5
	1.3 Elementi di comando e di collegamento .....	7
	<b>2 Installazione</b>	
	2.1 Montaggio .....	8
	<b>3 Funzioni e impostazioni</b>	
	3.1 Funzionamento .....	9
	3.2 Impostazione base .....	9
	3.3 Utilizzo del menu .....	10
	3.4 Struttura menu .....	10
	3.5 Collegamento .....	11
	3.6 Modalità DMX .....	11
	3.7 Configurazioni canali DMX .....	12
	3.8 Indirizzamento DMX .....	12
	3.9 Impostazioni del proiettore .....	13
	3.10 Funzioni avanzate .....	14
	3.11 Informazioni sul dispositivo .....	15
	3.12 Operazioni in modalità automatica .....	15
	3.13 Sensibilità microfono .....	15
	3.14 Collegamenti della linea DMX .....	16
	3.15 Costruzione del terminatore DMX .....	16
	3.16 Canali DMX .....	17
	3.17 Ruote colori .....	19
	<b>4 Manutenzione</b>	
	4.1 Manutenzione e pulizia del sistema ottico .....	20
	4.2 Sostituzione fusibile .....	20
	4.3 Risoluzione dei problemi .....	21

---

<b>Contenuto dell'imballo:</b>	<ul style="list-style-type: none"><li>• JETSPOT1</li><li>• Staffa di fissaggio</li><li>• Manuale utente</li></ul>
--------------------------------	---

---



**ATTENZIONE!** Prima di effettuare qualsiasi operazione con l'unità, leggere con attenzione questo manuale e conservarlo accuratamente per riferimenti futuri. Contiene informazioni importanti riguardo l'installazione, l'uso e la manutenzione dell'unità.



## SICUREZZA

### Avvertenze generali

- I prodotti a cui questo manuale si riferisce sono conformi alle Direttive della Comunità Europea e pertanto recano la sigla **CE**.
- Il dispositivo funziona con pericolosa tensione di rete 230V~. Non intervenire mai al suo interno al di fuori delle operazioni descritte nel presente manuale; esiste il pericolo di una scarica elettrica.
- È obbligatorio effettuare il collegamento ad un impianto di alimentazione dotato di un'efficiente messa a terra (apparecchio di Classe I secondo norma EN 60598-1). Si raccomanda, inoltre, di proteggere le linee di alimentazione delle unità dai contatti indiretti e/o cortocircuiti verso massa tramite l'uso di interruttori differenziali opportunamente dimensionati.
- Le operazioni di collegamento alla rete di distribuzione dell'energia elettrica devono essere effettuate da un installatore elettrico qualificato. Verificare che frequenza e tensione della rete corrispondono alla frequenza ed alla tensione per cui l'unità è predisposta, indicate sulla targhetta dei dati elettrici.
- L'unità non per uso domestico, solo per uso professionale.
- Evitare di utilizzare l'unità:
  - in luoghi umidi;
  - in luoghi soggetti a vibrazioni, o a possibili urti;
  - in luoghi a temperatura superiore ai 45°C.
- Evitare che nell'unità penetrino liquidi infiammabili, acqua o oggetti metallici.
- Non smontare e non apportare modifiche all'unità.
- Tutti gli interventi devono essere sempre e solo effettuati da personale tecnico qualificato. Rivolgersi al più vicino centro di assistenza tecnica autorizzato.
- Se si desidera eliminare il dispositivo definitivamente, consegnarlo per lo smaltimento ad un'istituzione locale per il riciclaggio.



### Attenzioni e precauzioni per l'installazione

- Se il dispositivo dovesse trovarsi ad operare in condizioni differenti da quelle descritte nel presente manuale, potrebbero verificarsi dei danni; in tal caso la garanzia verrebbe a decadere. Inoltre, ogni altra operazione potrebbe provocare cortocircuiti, incendi, scosse elettriche, rotture etc.
- Prima di iniziare qualsiasi operazione di manutenzione o pulizia sull'unità togliere la tensione dalla rete di alimentazione.
- È assolutamente necessario proteggere l'unità per mezzo di una fune di sicurezza. Nell'eseguire qualsiasi intervento attenersi scrupolosamente a tutte le normative (in materia di sicurezza) vigenti nel paese di utilizzo.
- Questo prodotto è solo per uso interno.
- La distanza minima tra il proiettore e le pareti circostanti deve essere superiore a 50 cm e non devono essere ostruite, in nessun caso, le aperture di aerazione.
- Installare l'unità in un luogo ben ventilato.
- Mantenere i materiali infiammabili ad una distanza di sicurezza dall'unità.
- La temperatura massima raggiungibile sulla superficie esterna dell'unità, in condizioni di regime termico, è elevata. Dopo lo spegnimento, attendere 15 minuti per il raffreddamento.
- I filtri, le lenti o gli schermi ultravioletti se danneggiati possono limitare la loro efficienza.
- I LED devono essere sostituiti se danneggiati o termicamente deformati.
- Non guardare direttamente il fascio luminoso. Tenete presente che i veloci cambi di luce possono provocare attacchi d'epilessia presso persone fotosensibili o epilettiche.
- Questo prodotto è stato progettato e costruito esclusivamente per l'utilizzo indicato in questa documentazione. Qualsiasi altro utilizzo non espressamente indicato potrebbe pregiudicare la funzionalità del prodotto e/o rappresentare fonte di pericolo.
- Si declina qualsiasi responsabilità derivata dall'uso improprio del prodotto.



## - 1 - INTRODUZIONE

### 1.1 DESCRIZIONE

JETSPOT1 è una testa mobile spot LED con sorgente 18 W a 7.000 K, estremamente compatto ed il più piccolo e leggero della serie. JETSPOT1 offre semplicemente il miglior rapporto qualità-prezzo nel suo segmento con un output luminoso di gran lunga superiore alle aspettative in un corpo estremamente compatta e a un prezzo accessibile.

### 1.2 SPECIFICHE TECNICHE

#### SORGENTE LUMINOSA

- Sorgente: 18W LED bianco ad alta potenza
- CT: 7.000K
- CRI: 73
- Flusso luminoso: 1'288lm
- Lux: 2'533lx @3 m
- Lux: 227,97lx @10 m
- Durata media sorgente: >30.000 h

#### OTTICA

- Angolo di proiezione: 16°
- Tipo lente: gruppo ottico composto da lente in vetro HQ
- SISTEMA COLORE
- Ruota colori: 9 filtri dicroici + aperti

#### EFFETTI DINAMICI

- Gobos fissi: 9 gobos fissi + aperti
- Auto mode: programmi integrati con regolazione della velocità di esecuzione
- Modalità audio: attivazione musicale tramite microfono interno e controllo sensibilità

#### CORPO

- Pan angle: 540°
- Tilt angle: 270°
- Risoluzione Pan/Tilt: bit 8 / 16 bit
- Feedback: riposizionamento automatico dopo movimenti accidentali
- Corpo: struttura in alluminio con coperture in policarbonato ad alta resistenza
- Colore: nero, variante con finitura bianca disponibile

#### CONTROLLO

- Protocolli: DMX512, RDM
- Canali DMX: 8 / 10channel
- W-DMX: opzionale, protocollo proprietario compatibile con WIFIBOX e WDBOX
- RDM: RDM ready per controllo e impostazioni remote della fixture
- Display: display black OLED ad alta risoluzione
- Aggiornamento firmware: sì, con interfaccia USB - DMX (UPBOX1) non inclusa
- Master/Slave: per il controllo di più unità collegate in catena

**ELETRONICA**

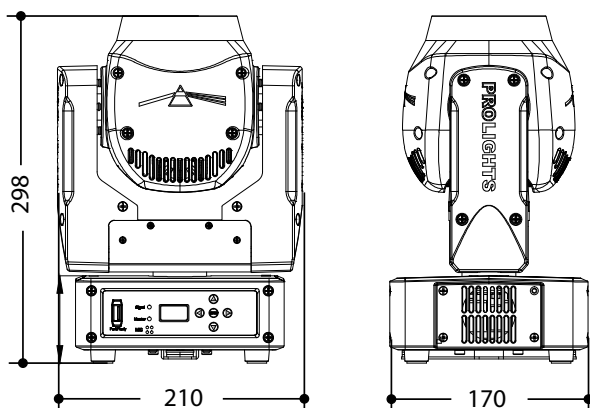
- Dimmer: 0 ~ 100% lineare, elettronico
- Strobe / shutter: 0 ~ 30 Hz, elettronico
- Temperatura d'esercizio: -10° ~ +45°
- Flicker: funzionamento senza sfarfallio

**ALIMENTAZIONE**

- Alimentazione elettrica: 100-240 V – 50/60 Hz
- Potenza assorbita (a 230V): 40,6W
- Potenza assorbita (a 120V): 39,7W
- Output (a 230V): 67 unità connesse in serie
- Output (a 120V): 37 unità connesse in serie

**CARATTERISTICHE FISICHE**

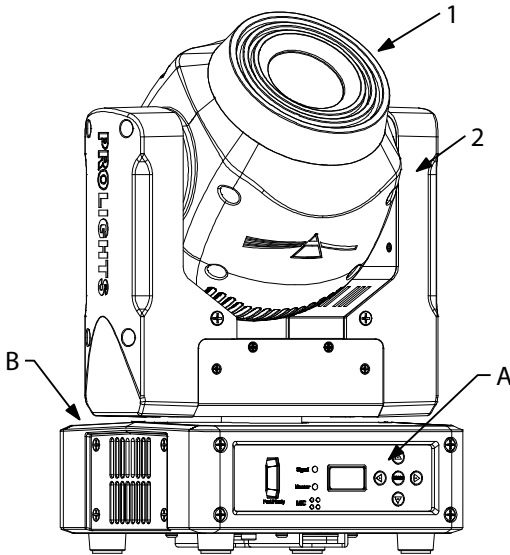
- Raffreddamento: aria filtrata forzata con ventole silenziate
- Sospensione e fissaggio: qualsiasi posizione con supporti omega (inclusi) "quicklock"
- Dati: porta USB per ricetrasmittitore USB WIFI (opzionale)
- Connessione di segnale: XLR 5p IN/OUT connectors
- Connessione di alimentazione: Seetronic powerKon IN/OUT connectors
- Grado IP: 20
- Dimensioni (LxAxP): 210x308x170mm
- Peso: 4,2kg



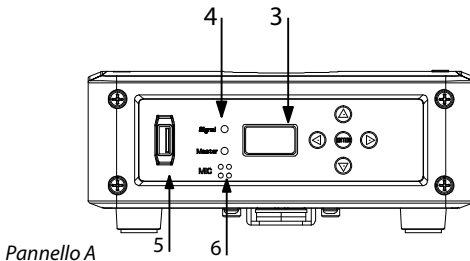
Disegno tecnico

Fig.1

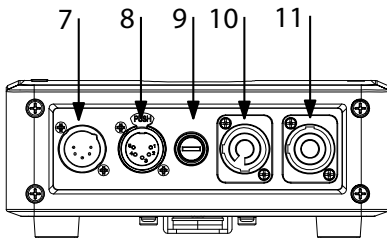
## 1.3 ELEMENTI DI COMANDO E DI COLLEGAMENTO



1. TESTA MOBILE
2. BRACCIO GIREVOLE
3. PANNELLO DI CONTROLLO con display LCD e 4 pulsanti per l'accesso e gestione delle diverse funzioni.
4. INDICATORE LED
5. Universal Serial Bus (USB)
6. MICROFONO
7. DMX IN (XLR a 5 poli):  
1 = massa, 2 = DMX -, 3 = DMX +, 4 N/C, 5 N/C
8. DMX OUT (XLR a 5 poli):  
1= massa, 2 = DMX -, 3 = DMX +, 4 N/C, 5 N/C
9. PORTAFUSIBILE: sostituire un fusibile difettoso solo con uno dello stesso tipo.
10. POWER IN (PowerCON IN): per il collegamento ad una presa di rete (100-240V~/50-60Hz) tramite il cavo rete in dotazione.
11. POWER OUT (PowerCON IN): output alimentazione per connessione di più unità in serie.



Pannello A

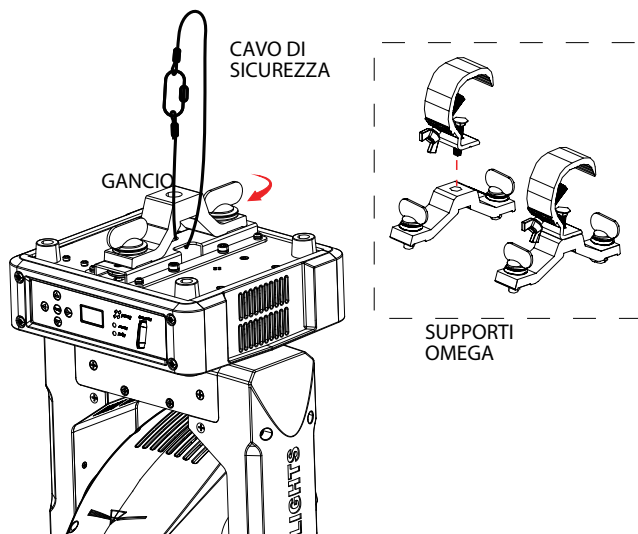


Pannello B

## - 2 - INSTALLAZIONE

### 2.1 MONTAGGIO

Il JETSPOT1 può essere collocato su un piano solido. Inoltre, grazie ai fori di fissaggio, l'unità può essere montata anche a testa in giù, su una traversa (fig.3). Per il fissaggio occorrono dei supporti robusti per il montaggio. Come si vede nell'illustrazione, i perni del sistema di aggancio rapido, dei supporti omega, sono da inserire nelle apposite sedi della piastra dove vengono bloccati con una rotazione in senso orario (fino all'arresto). Assicurarsi che l'unità sia saldamente fissata al fine di evitare vibrazioni e scivolamenti durante il funzionamento. L'area di collocazione deve avere una stabilità sufficiente e supportare almeno 10 volte il peso dell'unità. Inoltre assicurarsi di rispettare tutte le avvertenze in materia di sicurezza. È assolutamente necessario assicurare il proiettore contro la caduta utilizzando un cavo di sicurezza: in particolare collegare il cavo in un punto adatto in modo che la caduta del proiettore non possa superare i 20 cm.



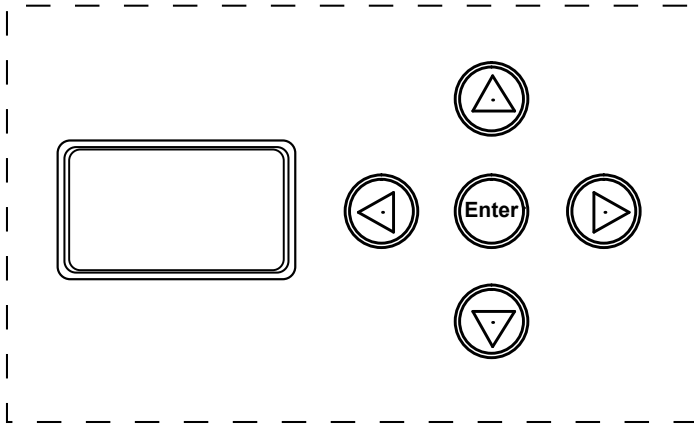
## - 3 - FUNZIONI E IMPOSTAZIONI

### 3.1 FUNZIONAMENTO

Per accendere il JETSPOT1 inserire la spina del cavo di alimentazione in una presa di rete (100-240V~/50-60Hz). La testa mobile e tutti i motori di comando si mettono in una precisa posizione di partenza. Poco dopo l'unità è pronta. Per spegnere il JETSPOT1, staccare la spina dalla presa di rete. Per maggiore comodità è consigliabile collegare l'unità con una presa comandata da un interruttore.

### 3.2 IMPOSTAZIONE BASE

Sul pannello di controllo del JETSPOT1 sono presenti il display ed i pulsanti che permettono la gestione del menu e la completa programmazione del proiettore (fig.4).



UP	DOWN	LEFT	RIGHT	ENTER
Per incrementare il valore visualizzato oppure passare alla voce precedente di menu	Per decrementare il valore visualizzato oppure passare alla voce seguente di menu	Per entrare nel menu principale oppure ritornare al menu precedente	Per passare al sotto livello successivo	Per entrare nel menu successivo o confermare il valore visualizzato oppure per attivare la funzione visualizzata

#### Inversione del display

Per attivare questa funzione, tener premuto contemporaneamente per 3 secondi i tasti UP e DOWN mentre il display si trova nello stato di riposo.

L'impostazione viene memorizzata e viene mantenuta anche nelle successive accensioni. Per tornare allo stato iniziale, ripetere nuovamente l'operazione.

### 3.3 UTILIZZO DEL MENU

1. Premere il tasto ENTER per accedere al menu principale.
2. Con i tasti UP/DOWN selezionare il menu su cui si desidera operare:
  - Connect;
  - Setup;
  - Advanced;
  - Information;
  - Stand alone;
3. Premere il tasto ENTER per visualizzare la prima voce del menu selezionato.
4. Con i tasti UP/DOWN selezionare le voci del menu.

NOTA - Il display può trovarsi in due condizioni possibili: lo stato di riposo e lo stato di impostazione.

Quando si trova nello stato di riposo, il display mostra l'indirizzo DMX del proiettore. Invece, durante lo stato di impostazione del menu, quando trascorre un certo tempo di attesa senza che venga premuto alcun tasto, la visualizzazione torna automaticamente allo stato di riposo. Si noti che al verificarsi di questa condizione, un eventuale valore modificato ma non ancora confermato con il tasto ENTER verrà annullato.

### 3.4 STRUTTURA MENU

MENU	
1	<b>CONNECT</b> ⇒ DMX Address ⇒ Value (1-512)
	DMX Mode ⇒ Basic 8-8CH Basic 16-10CH
2	<b>SET UP</b> ⇒ Movement ⇒ Pan Reverse ⇒ YES/NO
	Tilt Reverse ⇒ YES/NO
	Screen ⇒ Backlight ⇒ ON
	10s
	20s
	30s
	Flip Display ⇒ YES/NO
	Warn Cue ⇒ ON/OFF
	Key Lock ⇒ YES/NO
	Auto Test ⇒ Auto Test
Manual Test ⇒ Pan ⇒ Value (000-255) for each function	
Pan Fine	
Tilt	
Tilt Fine	
Pan/Tilt Speed	
Dimmer	
Shutter	
Color	
Gobo	

3	<b>ADVANCED</b>	⇒	Reset	⇒	All	⇒	YES/NO
					Pan		
					Tilt		
					Color		
					Gobo		
		Adjust	⇒	Pan Offset	⇒	Value (000-255) for each function	
				Tilt Offset			
				Color Offset			
				Gobo Offset			
		Factory Reload	⇒	YES/NO			
4	<b>INFORMATION</b>	⇒	Fixture Time				
			Temperature				
			Fans Speed				
			Software Ver.				
			UID				
5	<b>STAND ALONE</b>	⇒	Play	⇒	Master/Slave	⇒	Master
					Sequence	⇒	Slave
							Show 1
							Show 2
							Show 3
							Show 4
				Mic Sens.	⇒	Value (001-100%)	

### 3.5 COLLEGAMENTO

Si possono collegare più unità affinché tutte le unità secondarie abbiano lo stesso effetto luce dell'unità principale (Master).

1. Collegare l'uscita DMX OUT dell'unità principale con l'ingresso DMX IN della prima unità secondaria servendosi di un cavo XLR a 5 poli.
2. Collegare l'uscita DMX OUT della prima unità secondaria con l'ingresso DMX IN della seconda unità secondaria ecc.

### 3.6 MODALITÀ DMX

Per entrare nella modalità DMX procedere nel seguente modo:

- Premere il tasto ENTER per accedere al menu principale.
- Premere il tasto UP/DOWN per scorrere nel menu, selezionare **Connect**, quindi premere il tasto ENTER per accedere al menu successivo **Address**.
- Premere il tasto ENTER e selezionare **DMX** con il tasto UP/DOWN, quindi confermare la scelta con il tasto ENTER.
- Impostare con i tasti direzionali il valore desiderato (**001-512**). Premere il tasto ENTER per confermare.
- Premere il tasto LEFT più volte per uscire dal menu e per salvare le modifiche apportate.

### 3.7 CONFIGURAZIONI CANALI DMX

JETSPOT1 dispone di più configurazioni dei canali DMX a cui si può accedere dal pannello di controllo.

- Premere il tasto ENTER per accedere al menu principale.
- Premere il tasto UP/DOWN per scorrere nel menu, selezionare **Connect**, quindi premere il tasto ENTER per accedere al menu successivo **DMX Mode**.
- Premere il tasto ENTER e selezionare **Mode** con il tasto UP/DOWN, quindi confermare la scelta con il tasto ENTER.
- Attraverso il tasto UP/DOWN selezionare la configurazione dei canali DMX desiderata (**Basic8-8CH**, **Basic16-10CH**), quindi premere il tasto ENTER per confermare la scelta.
- Premere il tasto LEFT più volte per uscire dal menu e per salvare le modifiche apportate.

### 3.8 INDIRIZZAMENTO DMX

Per il funzionamento tramite un'unità di comando luce con protocollo DMX512, è sufficiente collegare JETSPOT1 al controller. Il proiettore dispone di configurazione dei canali DMX a cui si può accedere dal pannello di controllo. Per poter comandare JETSPOT1 con un'unità di comando luce, occorre impostare l'indirizzo di start DMX per il primo canale DMX.

Se, per esempio, sull'unità di comando è previsto l'indirizzo 33 per comandare la funzione del primo canale DMX, si deve impostare sul JETSPOT1 l'indirizzo di start 33. Le altre funzioni del pannello saranno assegnate automaticamente agli indirizzi successivi.

Segue un esempio con indirizzo 33 di start:

Numero canali DMX	Indirizzo di start (esempio)	Indirizzo DMX occupati	Prossimo indirizzo di start possibile per unità n°1	Prossimo indirizzo di start possibile per unità n°2	Prossimo indirizzo di start possibile per unità n°3
8	33	33-40	41	49	57
16	33	33-48	49	65	81

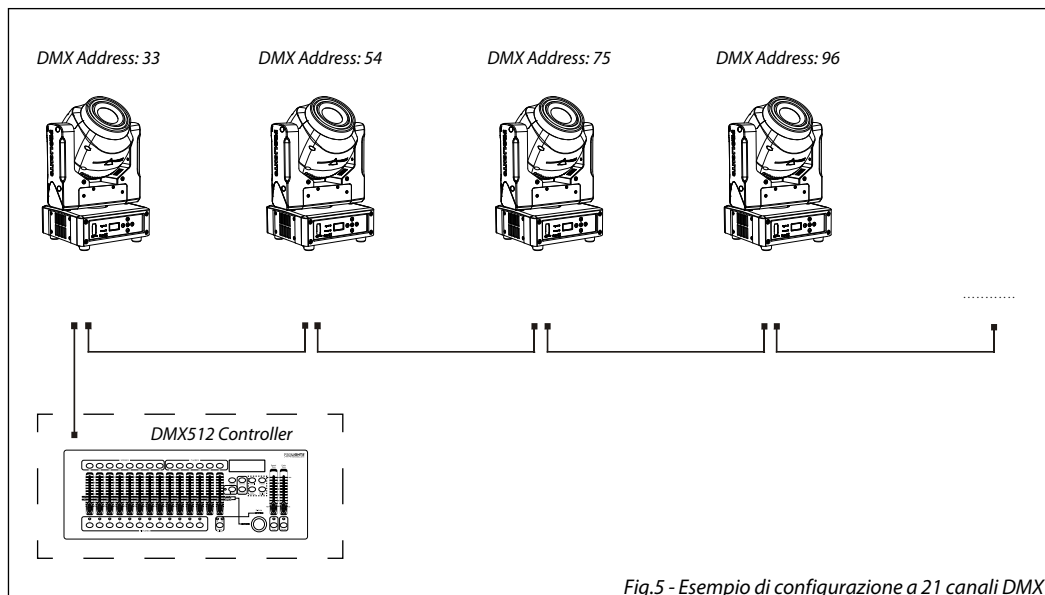


Fig.5 - Esempio di configurazione a 21 canali DMX



### 3.9 IMPOSTAZIONI DEL PROIETTORE

È possibile modificare i parametri relativi al dispositivo procedendo nel seguente modo:

#### MOVEMENT

- Premere il tasto ENTER per accedere al menu principale.
- Premere il tasto UP/DOWN per scorrere nel menu, selezionare **Set Up**, quindi premere il tasto ENTER per accedere al menu successivo.
- Premere il tasto UP/DOWN per selezionare **Movement** e premere il tasto ENTER per procedere.
- Selezionare l'opzione proposta con il tasto UP/DOWN e premere il tasto ENTER per confermare.
  - **Pan Reverse** - Rotazione in senso opposto della testa mobile. **NO** per disattivare la funzione (impostazione normale); **YES** per attivare la funzione (Pan Reverse).
  - **Tilt Reverse** - Inclinazione in senso opposto della testa mobile. **NO** per disattivare la funzione (impostazione normale), **YES** per attivare la funzione (Tilt Reverse).
  - **Pan/Tilt Feedbacks** - Riassetto posizione Pan/Tilt dopo spostamento accidentale. Selezionare **NO** per disattivare la funzione oppure **YES** per attivare la funzione.
- Premere il tasto ENTER per confermare la scelta.
- Premere il tasto LEFT più volte per uscire dal menu e per salvare le modifiche apportate.

#### SCREEN

È possibile modificare i seguenti parametri, relativi al display, seguendo la medesima procedura:

- Premere il tasto ENTER per accedere al menu principale.
- Premere il tasto UP/DOWN per scorrere nel menu, selezionare **Set Up**, quindi premere il tasto ENTER per accedere al menu successivo.
- Premere il tasto UP/DOWN per selezionare **Screen** e premere il tasto ENTER per procedere.
- Selezionare l'opzione proposta con il tasto UP/DOWN e premere il tasto ENTER per confermare.
  - **Backlight** - Retroilluminazione display Auto Off. Questa funzione permette di spegnere automaticamente la retroilluminazione del display dopo un determinato tempo che può essere impostato tramite i tasti direzionali. Per avere il display sempre acceso seleziona **Always On** oppure impostare un valore tra quelli indicati per far spegnere il display una volta trascorso il tempo scelto, dopo l'uscita dal menu.
  - **Flip Display** - Orientamento del display. Questa funzione permette di ruotare il display di 180° per ottenere una migliore visualizzazione del display quando l'unità è appesa a testa in giù. Selezionare **YES** per attivare la funzione oppure **NO** per disattivarla.
  - **Key lock** - Blocco tasti. Con questa funzione è possibile bloccare i tasti del pannello di controllo, per evitare, ad esempio, manomissioni delle impostazioni. Se questa funzione viene attivata, i tasti vengono bloccati automaticamente. Per disattivare o temporaneamente o disattivare la funzione di blocco tasti, premere i tasti nel seguente ordine per riottenere l'accesso ai comandi di menu: UP, DOWN, UP, DOWN, RIGHT. Selezionare **YES** per attivare la funzione oppure **NO** per disattivarla.
- Premere il tasto ENTER per confermare la scelta.
- Premere il tasto LEFT più volte per uscire dal menu e per salvare le modifiche apportate.

#### FIXTURE

**Fans Mode** - selezionare questa funzione per impostare la modalità di funzionamento delle ventole:

- Premere il tasto ENTER per accedere al menu principale.
- Premere il tasto UP/DOWN per scorrere nel menu, selezionare SET UP, quindi premere il tasto ENTER per accedere al menu successivo.
- Premere il tasto UP/DOWN per selezionare FIXTURE e premere il tasto ENTER per procedere.
- Premere il tasto UP/DOWN per scorrere nel menu, quindi selezionare Fans Mode e premere il tasto ENTER per confermare.

- Premere il tasto UP/DOWN per selezionare la modalità Auto Speed/High Speed, quindi premere il tasto ENTER per confermare la scelta.
- Premere il tasto LEFT più volte per uscire dal menu e per salvare le modifiche apportate

**Temperature** - Selezionare questa funzione per impostare l'unità di misura della temperatura visualizzata sul display:

- Premere il tasto ENTER per accedere al menu principale.
- Premere il tasto UP/DOWN per scorrere nel menu, selezionare l'icona Set, quindi premere il tasto ENTER per accedere al menu successivo.
- Premere il tasto UP/DOWN per selezionare UI Set e premere il tasto ENTER per procedere.
- Premere il tasto UP/DOWN per scorrere nel menu, quindi selezionare Temperature C/F e premere il tasto ENTER per confermare.
- Premere il tasto UP/DOWN per selezionare l'unità di misura Celsius/Fahrenheit, quindi premere il tasto ENTER per confermare la scelta.
- Premere il tasto LEFT più volte per uscire dal menu e per salvare le modifiche apportate.

**Auto e Manual test** - Attraverso queste menu è possibile testare il funzionamento di tutte le funzioni della testa mobile.

### 3.10 FUNZIONI AVANZATE

#### Reset delle funzioni

È possibile avviare un programma preimpostato per ripristinare la funzione selezionata:

- Premere il tasto ENTER per accedere al menu principale.
- Premere il tasto UP/DOWN per scorrere nel menu, selezionare **Advanced**, quindi premere il tasto ENTER per accedere al menu successivo.
- Premere il tasto UP/DOWN per selezionare **Reset** e premere il tasto ENTER per accedere al menu successivo.
- Premere il tasto UP/DOWN per scorrere nel menu, quindi selezionare la funzione che si desidera resettare fra **All, Pan&Tilt, Colors, Gobos**.
- Premere il tasto ENTER per confermare la scelta ed attendere il ripristino della funzione selezionata.

#### Adjust

Questa funzione consente di modificare tutti i seguenti parametri: **Pan Offset, Tilt Offset, Color Offset, Gobos Offset**. Premere i tasti UP/DOWN per selezionare uno dei parametri e premere ENTER per modificarne il valore (000-255) attraverso i tasti UP/DOWN.

- Premere il tasto ENTER per accedere al menu principale.
- Premere il tasto UP/DOWN per scorrere nel menu, selezionare **Advanced**, quindi premere il tasto ENTER per accedere al menu successivo.
- Premere il tasto ENTER per confermare la scelta.
- Premere il tasto LEFT più volte per uscire dal menu e per salvare le modifiche apportate.

#### Factory Reload

Selezionare questa funzione per ripristinare l'unità alle impostazioni di fabbrica:

- Premere il tasto ENTER per accedere al menu principale.
- Premere il tasto UP/DOWN per scorrere nel menu, selezionare **Advanced**, quindi premere il tasto ENTER per accedere al menu successivo.
- Premere il tasto UP/DOWN per selezionare **Factory Reload** e premere il tasto ENTER per procedere.
- Premere i tasti UP/DOWN per selezionare **YES** oppure **NO**, quindi premere il tasto ENTER per confermare.

### 3.11 INFORMAZIONI SUL DISPOSITIVO

Per visualizzare tutte le informazioni sul dispositivo procedere nel seguente modo:

- Premere il tasto ENTER per accedere al menu principale.
- Premere il tasto UP/DOWN per selezionare **Information**, quindi premere il tasto ENTER per accedere al menu successivo.
- Premere il tasto UP/DOWN per scorrere nel menu, quindi selezionare una delle seguenti informazioni e premere il tasto ENTER per visualizzarla.
  - **Fixture Time** - Attraverso la funzione **Fixture Time** è possibile visualizzare sul display il tempo di funzionamento del proiettore.
  - **Temperature** - Attraverso la funzione **Temperature** è possibile visualizzare sul display la temperatura presente all'interno della testa mobile, dove è situata la lampada. La temperatura può essere visualizzata in gradi Celsius o Fahrenheit.
  - **Fans Speed** - Attraverso la funzione **Fans Speed** è possibile visualizzare sul display la velocità della ventola presente vicino la lampada. La misura della velocità è espressa in RPM (giri per minuto).
  - **Software Version** - Attraverso la funzione **Software Version** è possibile visualizzare sul display la versione del software installata.
  - **UID** - Selezionare la funzione UID per visualizzare l'ID identificativo per il controllo RDM.
- Premere il tasto LEFT più volte per uscire dal menu.

**RDM** - Questa fixture possiede la funzione di RDM (Remote Device Management) che rende possibile il controllo remoto di dispositivi connessi via DMX. Con questa funzione è possibile richiamare i vari sottomenu dell'unità. Le impostazioni manuali, come ad esempio l'indirizzamento DMX, non sono più necessarie. I dati RDM vengono trasmessi tramite lo standard XLR a poli 1 e 2, per questo non sono necessari dei cavi DMX appositi. Tecnologia RDM e dispositivi DMX convenzionali possono operare su un'unica linea DMX. Nel caso in cui vengano utilizzati splitter DMX ed un controller RDM, lo splitter dovrà supportare il protocollo RDM.

### 3.12 OPERAZIONI IN MODALITÀ AUTOMATICA

L'unità può svolgere il suo programma Show autonomamente. Prima di inviare un programma automatico in esecuzione è necessario impostare l'unità come Master/Alone:

- Premere il tasto ENTER per accedere al menu principale.
- Premere il tasto UP/DOWN per scorrere nel menu, selezionare **Stand Alone**, quindi premere il tasto ENTER per accedere al menu successivo **Play**.
- Premere il tasto ENTER e selezionare **Sequence** con il tasto UP/DOWN, quindi confermare la scelta con il tasto ENTER.
- Premere il tasto UP/DOWN per selezionare la modalità di funzionamento:
  - **Master**, se l'unità è collegata in serie ad altre unità ed essa svolge la funzione di Master;
  - **Slave**, se l'unità è collegata in serie ad altre unità ed essa svolge la funzione di slave;
- Premere il tasto ENTER per confermare la scelta.
- Premere il tasto LEFT più volte per uscire dal menu e per salvare le modifiche apportate.

L'unità entrerà in modalità automatica mandando in esecuzione il programma automatico.

### 3.13 SENSIBILITÀ MICROFONO

Selezionare questa funzione per impostare il valore della sensibilità del microfono per il controllo tramite comando musicale:

- Premere il tasto ENTER per accedere al menu principale.
- Premere i tasti UP/DOWN per selezionare **Stand Alone**, quindi premere il tasto ENTER per accedere al menu successivo **Play**.
- Premere il tasto ENTER e selezionare **Mic Sens.** con il tasto UP/DOWN, quindi confermare la scelta con il

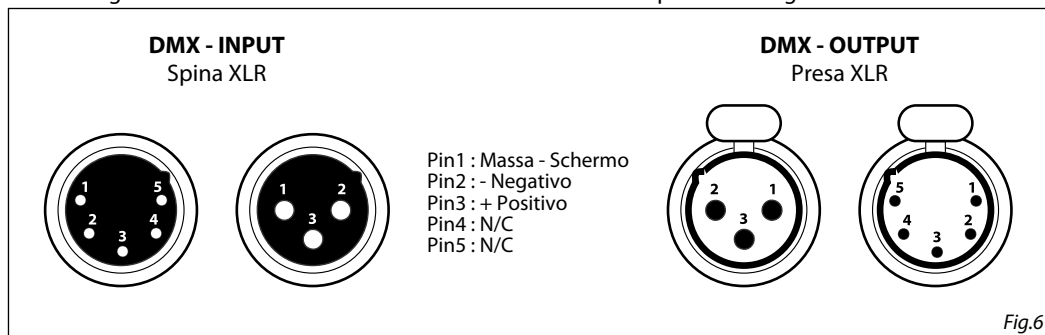
tasto ENTER.

- Premere il tasto ENTER e regolare il livello di sensibilità del microfono con il tasto UP/DOWN. Premere il tasto ENTER per confermare.
- Premere il tasto LEFT più volte per uscire dal menu e per salvare le modifiche apportate.

### 3.14 COLLEGAMENTI DELLA LINEA DMX

La connessione DMX è realizzata con connettori standard XLR. Utilizzare cavi schermati, 2 poli ritorti, con impedenza  $120\Omega$  e bassa capacità.

Per il collegamento fare riferimento allo schema di connessione riportato di seguito:



**ATTENZIONE** - La parte schermata del cavo (calza) non deve mai essere collegata alla terra dell'impianto; ciò comporterebbe malfunzionamenti delle unità e dei controller.

Per passaggi lunghi può essere necessario l'inserimento di un amplificatore DMX.

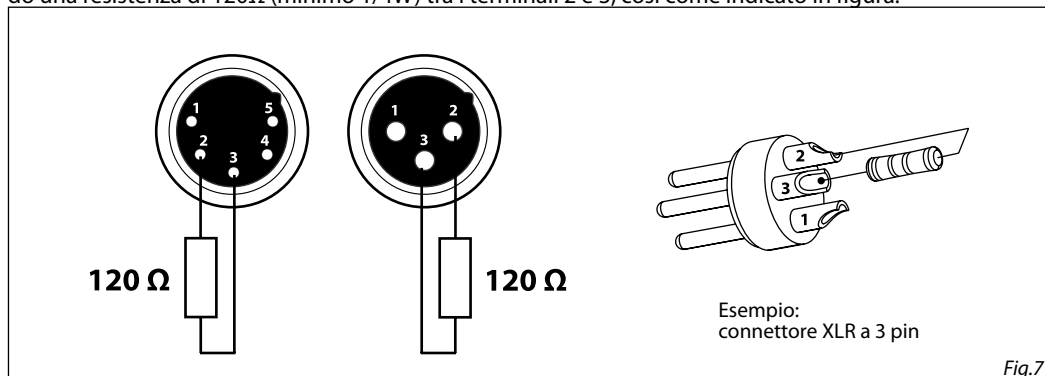
In tal caso, è sconsigliato utilizzare nei collegamenti cavo bilanciato microfonico poiché non è in grado di trasmettere in modo affidabile i dati di controllo DMX.

- Collegare l'uscita DMX del controller con l'ingresso DMX della prima unità;
- Collegare, quindi, l'uscita DMX con l'ingresso DMX della successiva unità; l'uscita di quest'ultima con l'ingresso di quella successiva e via dicendo finché tutte le unità sono collegate formando una catena.
- Per installazioni in cui il cavo di segnale deve percorrere lunghe distanze è consigliato inserire sull'ultima unità una terminazione DMX.

### 3.15 COSTRUZIONE DEL TERMINATORE DMX

La terminazione evita la probabilità che il segnale DMX 512, una volta raggiunta la fine della linea stessa venga riflesso indietro lungo il cavo, provocando, in certe condizioni e lunghezze, la sua sovrapposizione al segnale originale e la sua cancellazione.

La terminazione deve essere effettuata, sull'ultima unità della catena, con connettori XLR a 3/5 pin, saldando una resistenza di  $120\Omega$  (minimo  $1/4W$ ) tra i terminali 2 e 3, così come indicato in figura.



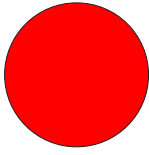
## 3.16 CANALI DMX

BAS-8 8ch	BAS-16 10ch	FUNCTION	DMX Value
1	1	<b>PAN</b> Pan Coarse	000 - 255
	2	<b>PAN FINE</b> Pan Fine	000 - 255
2	3	<b>TILT</b> Tilt Coarse	000 - 255
	4	<b>TILT FINE</b> Tilt Fine	000 - 255
3	5	<b>MOVEMENT SPEED</b> Fastest to slowest	000 - 255
4	6	<b>SHUTTER</b> Shutter closed No function (shutter open) Strobe effect slow to fast No function (shutter open) Pulse-effect in sequences No function (shutter open) Random strobe effect slow to fast No function (shutter open)	000 - 010 011 - 030 031 - 085 086 - 105 106 - 160 161 - 180 181 - 235 236 - 255
5	7	<b>DIMMER</b> Dimmer (close to open)	000 - 255
6	8	<b>COLOR Indexed</b> Open Open+DARK RED DARK RED DARK RED + DARK BLUE DARK BLUE DARK BLUE + YELLOW YELLOW YELLOW + GREEN GREEN GREEN + LIGHT ORANGE LIGHT ORANGE LIGHT ORANGE + MAGENTA MAGENTA MAGENTA + C.T.B C.T.B C.T.B + C.T.O. C.T.O. C.T.O. + UV FILTER UV FILTER UV FILTER + Open	000 - 006 007 - 012 013 - 019 020 - 025 026 - 031 032 - 038 039 - 044 045 - 050 051 - 057 058 - 063 064 - 069 070 - 076 077 - 082 083 - 088 089 - 095 096 - 101 102 - 107 108 - 114 115 - 120 121 - 127

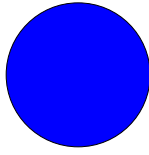
<b>BAS-8</b>	<b>BAS-16</b>	<b>FUNCTION</b>	<b>DMX Value</b>
<b>8ch</b>	<b>10ch</b>		
6	8	<b>Forward Spin</b> Stop to fast <b>Stop roation</b> Stop <b>Reverse Spin</b> Fast to Stop	128 - 189  190 - 193  194 - 255
7	9	<b>GOBO</b> <b>Index</b> Open Gobo 1 Gobo 2 Gobo 3 Gobo 4 Gobo 5 Gobo 6 Gobo 7 Gobo 8 Gobo 9 Gobo Shake 1 (slow to fast) Gobo Shake 2 (slow to fast) Gobo Shake 3 (slow to fast) Gobo Shake 4 (slow to fast) Gobo Shake 5 (slow to fast) Gobo Shake 6 (slow to fast) Gobo Shake 7 (slow to fast) Gobo Shake 8 (slow to fast) Gobo Shake 9 (slow to fast) <b>Forward Spin</b> Slow to fast <b>Reverse Spin</b> Fast to Slow	000 - 006 007 - 012 013 - 018 019 - 025 026 - 031 032 - 037 038 - 044 045 - 050 051 - 056 057 - 063 064 - 071 072 - 078 079 - 085 086 - 092 093 - 099 100 - 106 107 - 113 114 - 120 121 - 127  128 - 191  192 - 255
8	10	<b>CONTROL</b> No function Enable blackout while Pan/Tilt move (Hold 3 Second) Disable blackout while Pan/Tilt move (Hold 3 Second) Enable blackout while color change (Hold 3 Second) Disable blackout while color change (Hold 3 Second) Enable blackout while gobo change (Hold 3 Second) Disable blackout while gobo change (Hold 3 Second) Pan Reset (Hold 3 Second) Tilt Reset (Hold 3 Second) Color Reset (Hold 3 Second) Gobo Reset (Hold 3 Second) No function Reset all (Hold 3 Second) No function	000 - 039 040 - 049 050 - 059 060 - 069 070 - 079 080 - 089 090 - 099 100 - 109 110 - 119 120 - 129 130 - 139 140 - 199 200 - 209 210 - 255

3.17 RUOTE COLORI - GOBOS

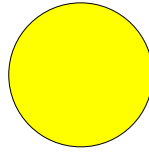
COLOR WHEEL



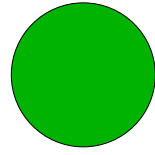
1 - RED



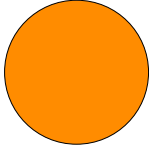
2 - BLUE



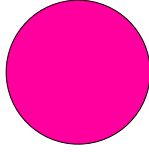
3 - YELLOW



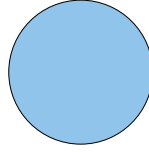
4 - GREEN



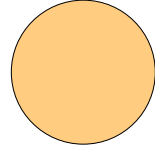
5 - LIGHT ORANGE



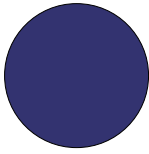
6 - MAGENTA



7 - CTB

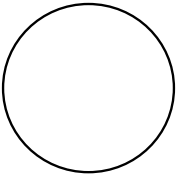


8 - CTO

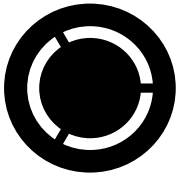


9 - UV FILTER

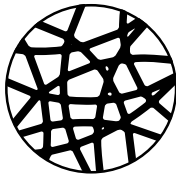
GOBOS



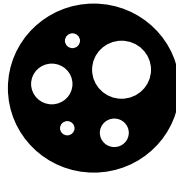
01



02



03



04



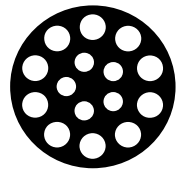
05



06



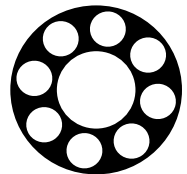
07



08



09



10

## - 4 - MANUTENZIONE

### 4.1 MANUTENZIONE E PULIZIA DEL SISTEMA OTTICO

- Durante gli interventi, assicurarsi che l'area sotto il luogo di installazione sia libera da personale non qualificato.
- Spegnerne l'unità, scollegare il cavo di alimentazione ed aspettare finché l'unità non si sia raffreddata.
- Tutte le viti utilizzate per l'installazione dell'unità e le sue parti dovrebbero essere assicurate saldamente e non dovrebbero essere corrose.
- Alloggiamenti, elementi di fissaggio e di installazione (soffitto, truss, sospensioni) dovrebbero essere totalmente esenti da qualsiasi deformazione.
- Quando una lente ottica è visibilmente danneggiata a causa di rotture o graffi profondi, deve essere sostituita.
- I cavi di alimentazione devono essere in condizione impeccabile e dovrebbero essere sostituiti immediatamente nel momento in cui anche un piccolo problema viene rilevato.
- Al fine di proteggere l'unità da surriscaldamento, le ventole di raffreddamento (e nel caso) le aperture di ventilazione, devono essere pulite mensilmente.

Per mantenere funzionalità e rendimento ottimali per lungo tempo è indispensabile effettuare una pulizia periodica delle parti soggette all'accumulo di polveri e grassi. La frequenza con la quale effettuare le operazioni sotto indicate dipende da diversi fattori, quali la quantità di movimenti degli effetti e la qualità dell'ambiente di lavoro (umidità dell'aria, presenza di polvere, salsedine, ecc.). Per rimuovere lo sporco dal riflettore, dalle lenti e dai filtri usare un panno morbido inumidito di un qualsiasi liquido detergente per la pulizia del vetro. Annualmente si consiglia di sottoporre il proiettore a personale tecnico qualificato per una manutenzione straordinaria consistente almeno nelle seguenti operazioni:

- Pulizia generale delle parti interne.
- Ripristino della lubrificazione di tutte le parti soggette ad attrito tramite l'utilizzo di lubrificanti appropriati.
- Controllo visivo generale di componenti interni, cablaggio, parti meccaniche, ecc.
- Controlli elettrici, fotometrici e funzionali; eventuali riparazioni.

Attenzione: consigliamo che la pulizia interna sia eseguita da personale qualificato!

### 4.2 SOSTITUZIONE FUSIBILE

1. Assicurarsi di scollegare il cavo di alimentazione del proiettore prima di sostituire un fusibile bruciato.
2. Con un cacciavite, rimuovere il portafusibile dalla sua sede e il fusibile bruciato dal suo supporto; sostituire il fusibile con uno identico per tipologia e valore.
3. Inserire il portafusibile al suo posto e ricollegare l'alimentazione.

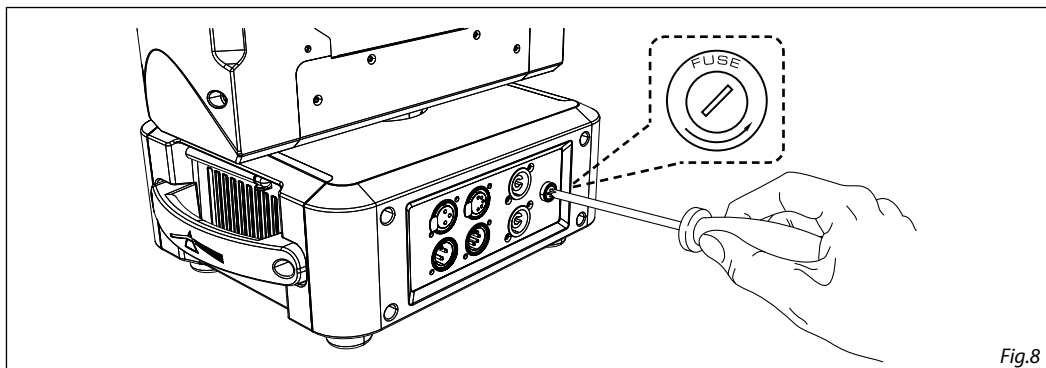


Fig.8



## 4.3 RISOLUZIONE DEI PROBLEMI

Anomalie	Possibili cause	Controlli e rimedi
Il proiettore non illumina	<ul style="list-style-type: none"> <li>• Mancanza di alimentazione di rete</li> <li>• Dimmer impostato a 0</li> <li>• Tutti i colori impostati a 0</li> <li>• LED difettoso/i</li> <li>• Scheda LED difettosa</li> </ul>	<ul style="list-style-type: none"> <li>• Verificare la presenza della tensione alimentazione</li> <li>• Incrementare i valori del canale dimmer</li> <li>• Incrementare i valori dei canali colori</li> <li>• Sostituire scheda LED</li> <li>• Sostituire scheda LED</li> </ul>
Bassa intensità di luce generale	<ul style="list-style-type: none"> <li>• Lenti sporche</li> <li>• Lente disallineata</li> </ul>	<ul style="list-style-type: none"> <li>• Pulire il dispositivo regolarmente</li> <li>• Installare il gruppo ottico correttamente</li> </ul>
Il proiettore non è alimentato	<ul style="list-style-type: none"> <li>• Mancanza di alimentazione di rete</li> <li>• Cavo di alimentazione danneggiato</li> <li>• Alimentatore interno difettoso</li> </ul>	<ul style="list-style-type: none"> <li>• Verificare la presenza della tensione alimentazione</li> <li>• Controllare il cavo di alimentazione</li> <li>• Sostituire l'alimentatore interno</li> </ul>
Il proiettore non risponde al DMX	<ul style="list-style-type: none"> <li>• Indirizzamento DMX errato</li> <li>• Cavo di segnale DMX difettoso</li> <li>• Rimbalzo segnale DMX</li> </ul>	<ul style="list-style-type: none"> <li>• Controllare il pannello di controllo e l'indirizzamento delle unità</li> <li>• Controllare il cavo di segnale DMX</li> <li>• Installare una terminazione DMX come suggerito</li> </ul>

Rivolgersi a un centro di assistenza tecnico autorizzato nel caso in cui il problema non sia riportato in tabella.





