

EclFresnel VW

250W Variable White LED Mini Fresnel (2,700K - 5,600K), with manual zoom 16° - 60°



The **EclFresnel VW** is a powerful LED Fresnel lamp, designed as a replacement for a 1,000W fixture, with a bright and high-quality variable-white light, from 2,700K to 5,600K, using a 250W LED source. This is the perfect luminaire for those applications requiring high-quality white rendering, such as in TV studios, galleries, and virtual productions, with high CRI (>96), TLCI (>96), TM-30 and R9. The **EclFresnel VW** has a manual zoom range from 16° to 60°, with precise focusing, and an 8-leaf barndoor (included). This fixture has an intuitive user interface with rotatory knobs. It also has stand-alone settings, PowerCon True in & through connections and XLR in & through, offering an incredible user experience and easy setup.

MAIN FEATURES

- Linear white CCT, from 2,700K to 5,600K
- 250W Variable White LED with CRI >96; TLCI >96; high TM-30 and R9
- Barndoor, 28 mm spigot and filter frame included

VERSIONS

Code	Housing	Pole Operated
ECLFRESNELVWBK	Black	NO
ECLFRESNELVWBKPO	Black	YES
ECLFRESNELVWWH	White	NO
ECLFRESNELVWWHPO	White	YES

TECHNICAL SPECIFICATION

LIGHT SOURCE

- Source: 250W Variable White LED
- CCT: 2.700 K - 5.600K
- Luminous flux: (16°) 8'693 lm - (60°) 10'955lm @full
- Lux: (16°) 9'492 lx - (60°) 2'557lx @3 m full
- CRI: 95,5 @WW; 95,4 @CW; 94,2 @full
- R9: 97,7 @WW; 92,8 @CW; 81,8 @full
- TLCI: 97 @WW; 98 @CW; 98 @full
- TM30 Rf: >94 @WW; >92 @CW; >93 @full
- TM30 Rg: >103 @WW; >103 @CW; >104 @full
- Source life expectancy: > 50.000 hrs (L70B10 @Ta 25° C / 77° F)

OPTICS

- Zoom: 16° - 60° half peak angle
- Lens diameter: 8" - 200mm
- Lens type: fresnel zoom lens

COLOUR SYSTEM

- Colour mixing: tunable white + colour
- CCT: CCT control through dedicated DMX channel
- White presets: 2.700 K - 5.600K
- Colour wheel: built-in white presets

DYNAMIC EFFECTS

- Control Resolution: 16-bit dimmer, colours
- Static mode: selection of static dimmer and color temperature
- Manual mode: manual adjustment of intensity and CT from knob
- Auto mode: built-in programs with execution speed adjustment

BODY

- Hardware on-board: filter frame, 8 doors barndoor, spigot
- Body: sturdy die-cast aluminium body
- Body colour: RAL 9004 or RAL 9003

ACCESSORIES & RELATED PRODUCTS

• 9513FXWL03	Ass. 3x2.5mm TH07 cable, 16A 3p 230V CEE plug, MENAC3FXW socket, L.3 m
• 9533FXWL03	Ass. 3x2.5mm TH07 cable, SHUKO plug, MENAC3FXW socket, L.3m
• 958225L03	3x2.5mm TH07 Cable, 16A 3p PwCon MXW, 16A 3p PwCon FXW, L. 3m
• C6002B	Slim aluminum clamp, 200kg loading, 48-51mm tubes, M10 bolt, Black
• C6040B	Aluminum clamp for 28mm spigot, 200kg load, 48-51mm tubes, black

CONTROL

- Protocols: DMX512, RDM
- Stand Alone: 3 rotatory knobs
- DMX channels: 1 / 2 / 4 / 5 / 11channel
- RDM: RDM for remote monitoring and settings
- Display: Graphic User Interface
- Firmware upgrade: yes, via USB - DMX interface (UPBOX1) not included

ELECTRONICS

- Dimmer: linear 0 ~ 100% electronic dimmer
- Dimmer curves: 4 selectable dimming modes available
- Strobe / shutter: 1 - 30 Hz, electronic
- Operating temperature: -20° ~ +45°
- LED Control: flicker free frequency with adjustable PWM
- Selectable PWM: 600 ~ 25.000 Hz

ELECTRICAL

- Mains power supply: 100-240V - 50/60Hz
- Max power consumption: 250W
- Output (at 230V): 14 units on a single power line
- Power factor: > 0,93

PHYSICAL

- IP rating: 20
- Cooling: combination of heat pipe cooling system and low noise fan
- Suspension and fixing: bracket for hanging and positioning
- Signal connection: Amphenol XLR 5p IN/OUT connectors
- Power connection: Neutrik powerCON TRUE1 IN/OUT connectors
- Dimensions (WxHxD): 283x440x343mm
- Dimensions with PO system (WxHxD): 341x545x343mm
- Weight: 7,8kg
- Weight with PO system: 10kg

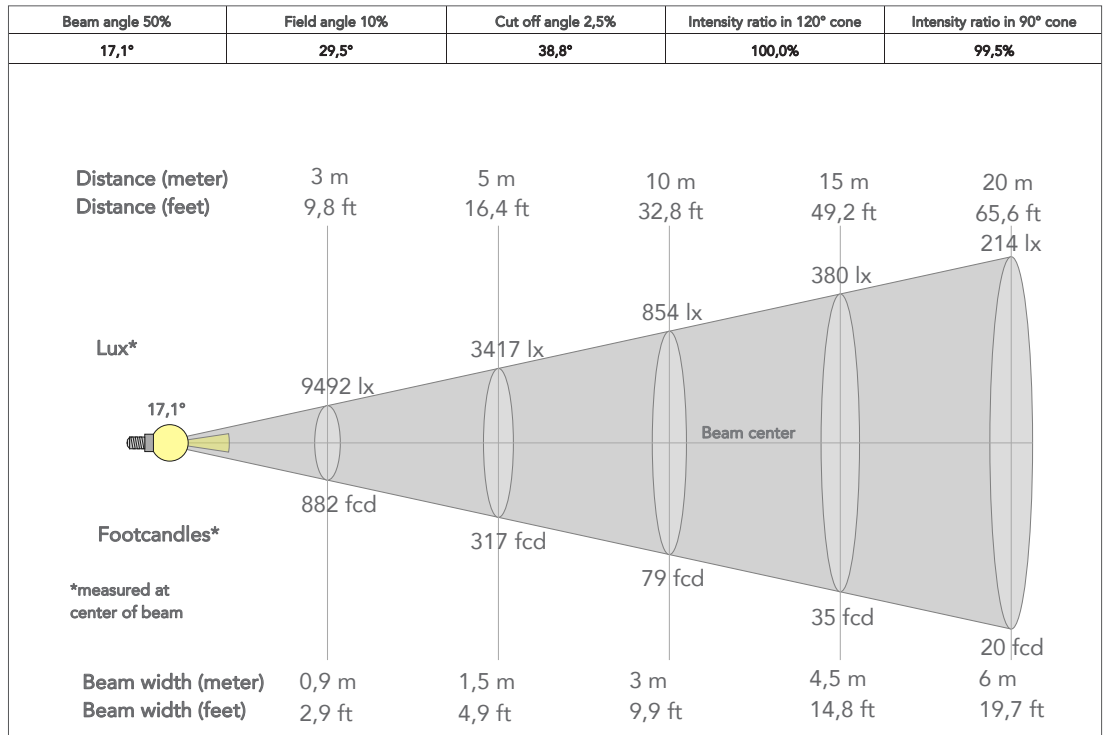
CERTIFICATIONS / APPROVALS

- Certifications / Approvals: CE, UKCA, RCM

• ECLFRSPG	Spigot for PROLIGHTS Fresnel series
• RSR0630B	Steel security cable for hanging bodies, inox steel shackle, L=60 cm, black
• TOUR53415L03	Dmx cable HC5340. CANC5MXX XLR 5p->CANC5FXX XLR (f) 5p, L.3m
• ECLFRSBD	Barn door with directional flaps to adjust the light beam
• FCLECLFRS	Flight case for 4x ECLFRESNEL
• ECLFRSTPG	Filter frame for ECLFRESNEL series
• UPBOX1U	Firmware uploader kit, USB IN, 3pin XLR DMX OUT, USB OUT

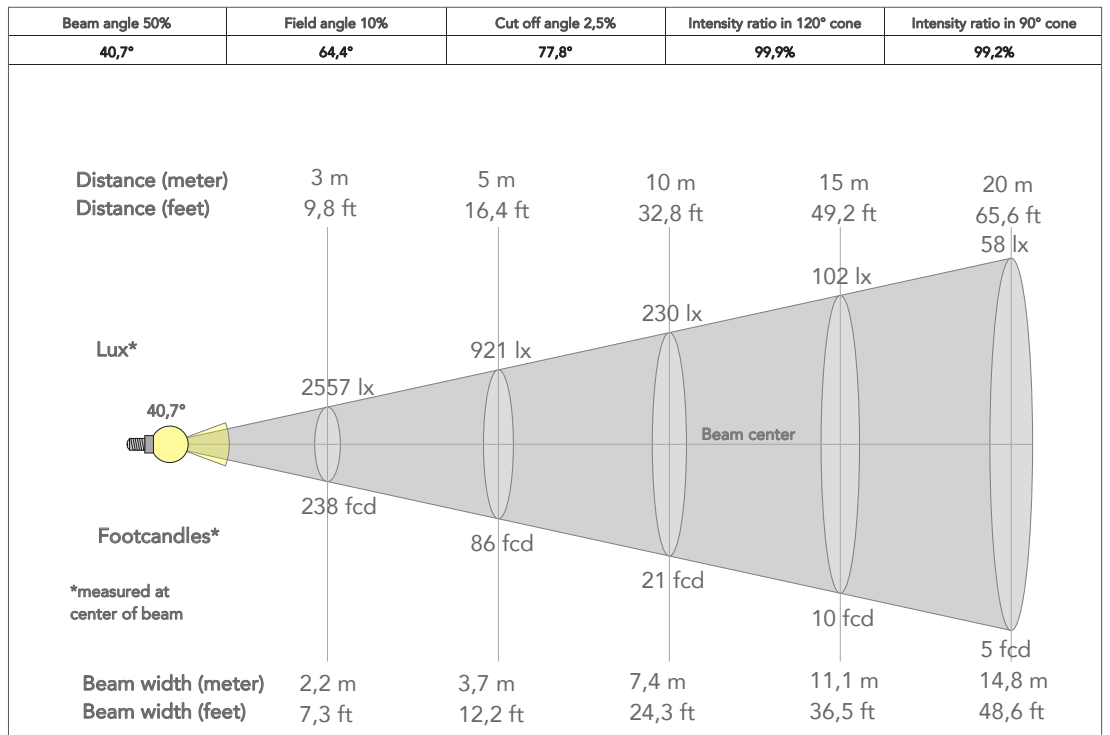
PRESET FULL ON

Beam angle 50%: 16°

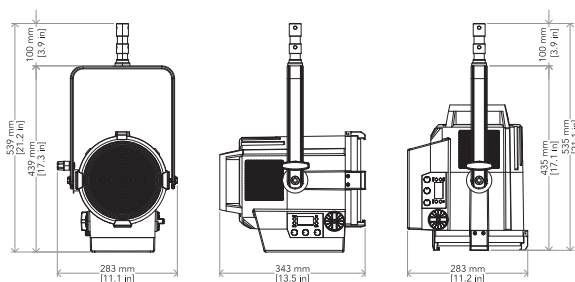


PRESET FULL ON

Beam angle 50%: 60°



TECHICAL DRAWINGS



CERTIFICATIONS / APPROVALS



Conforms to UL STD. 1573
 Certified to CSA STD: C22.2 NO. 166

Visit our website for specifications and tech documentations

